

Knob Picardie

Knob in **polyamid** filled with microscopic glass beads, allowing for high-impact resistance and durability.

Standard color is black.

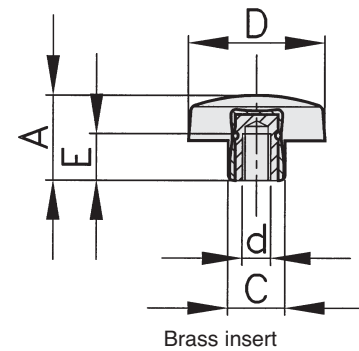
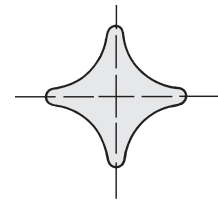
Fastening, insert is in brass (female), or zinc plated steel (male).

Optimum utilisation between -50° to 130° Celsius, outstanding resistance to chemicals, oil as well as tough climatic conditions.



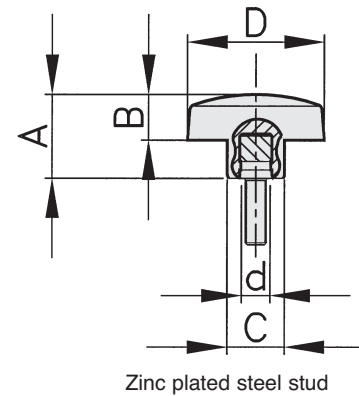
Design

BOUTET works closely with a multi-national group of talented designers and a prominent European Design School.



Knob "Picardie" with brass insert

D	d	A	B	C	E	Reference	g	Pack
25	M4	15	8	10	6	6610	6	100 pcs
25	M5	15	8	10	7,5	6611	7	100 pcs



Knob "Picardie" with zinc plated steel stud

D	d	▲ Standard length of stud L						Reference	g	Pack
		10	15	20	25	30	40			
25	M4	▲		▲	▲	▲		6600-**	6/10	100 pcs
25	M5	▲	▲	▲	▲	▲		6601-**	7/20	100 pcs
25	M6	▲	▲	▲	▲	▲	▲	6602-**	8/22	100 pcs

** Please fill in the length of stud L, example : 660240 for L : 40 mm