

Knob Alsace

100% recyclable

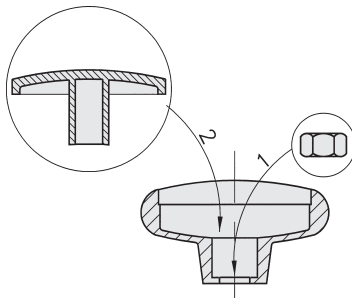
Knob in polyamid filled with microscopic glass beads, allowing for high-impact resistance and durability. Standard color is black.

T No fastening included. You can fit in any fastening, male or female, with hexagonal head.

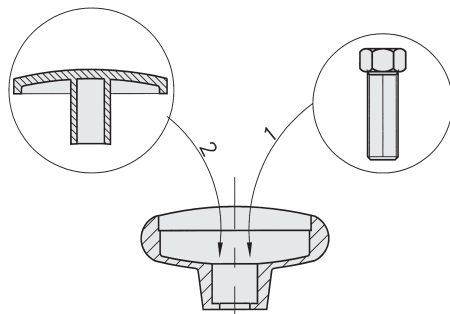
🔧 Optimum utilisation between -50° to 130° Celsius, outstanding resistance to chemicals, oil as well as tough climatic conditions.



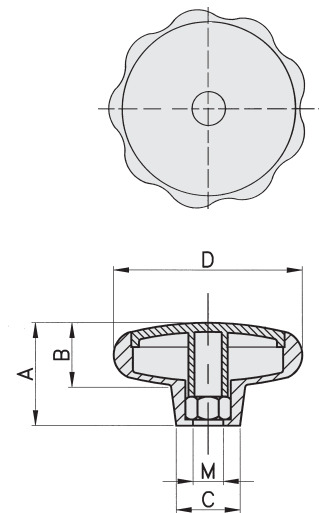
Thanks to our sophisticated logistics center and flexible manufacturing, BOUTET can guarantee SAME DAY Shipping. You have easy access to our real-time stock levels (www.e-boutet.com) and, consequently you can be assured your required quantity is available for immediate sameday shipping with UPS.



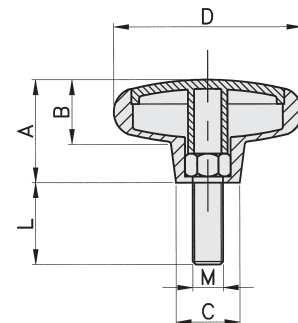
insert not included



stud not included



insert not included



stud not included

Knob "Alsace", 100% recyclable

D	A	B	C	Diameter of fitting insert or stud	Reference	g	Pack
32	18	8	18	M6	6910	7	50 pcs
32	18	8	18	M8	6911	7	50 pcs
42	28	18	21	M6	6912	11	50 pcs
42	28	18	21	M8	6913	11	50 pcs
62	34	22	21	M8	6914	21	50 pcs
62	34	22	21	M10	6915	21	50 pcs