

# Knob Champagne

Knob in polyamid filled with microscopic glass beads, allowing for high-impact resistance and durability.

Standard color is black.

**T** Fastening, insert is in zinc-plated steel.

**T** Optimum utilisation between  $-50^{\circ}$  to  $130^{\circ}$  Celsius, outstanding resistance to chemicals, oil as well as tough climatic conditions.



## Design

BOUTET works closely with a multi-national group of talented designers and a prominent European Design School.

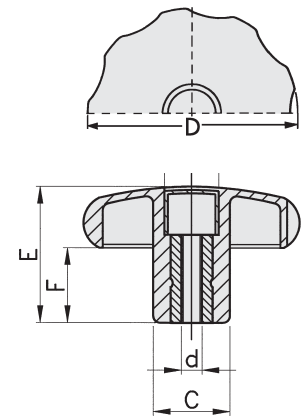
### Knob "Champagne" with internal thread

D	d	A	B	C	E	F	Reference	g	Pack
40	M6	32	16	18	24	13	6110	16	20 pcs
40	M8	32	16	18	24	13	6111	16	20 pcs
50	M8	41	20	18	32	18	6131	20	20 pcs
50	M10	41	20	22,5	32	18	6132	22	20 pcs
63	M10	54	20	22,5	40	22	6151	25	20 pcs
63	M12	54	20	25	40	22	6152	27	20 pcs

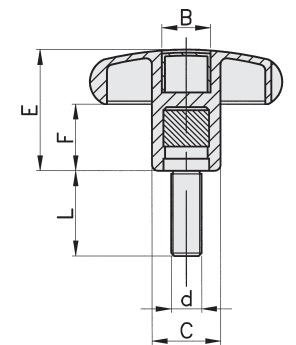
### Knob "Champagne" with external thread

D	d	▲ Standard length of stud L					Reference	g	Pack
		20	25	30	40	50			
40	M6	▲		▲	▲	▲	6100-**	20/32	20 pcs
40	M8	▲	▲	▲	▲	▲	6101-**	24/35	20 pcs
50	M8	▲		▲	▲	▲	6121-**	27/37	20 pcs
50	M10			▲	▲	▲	6122-**	29/42	20 pcs
63	M12			▲	▲	▲	6142-**	40/52	20 pcs

\*\* Please fill in the length of stud L, example : 614240 for L : 40 mm.



Internal thread version



External thread version