

# Knob Auvergne

Knob made of polyamid filled with microscopic glass beads, allowing for high-impact resistance and durability. Standard color is black.

**Fastening**, brass insert and zinc plated steel stud.

**Optimum utilisation** between -50° and 130° Celsius, outstanding resistance to chemicals, oil as well as tough climatic conditions.

Product also available in stainless steel.



Knob type "Auvergne" with brass insert

D	Design	d	A	B	C	E	Reference	g	Pack
22	3	M6	12	8,5	12	7	6842	10	50 pcs
28	4	M6	15	10	13	9	6870	12	50 pcs
28	4	M8	15	10	13	9	6871	15	50 pcs

Knob "Auvergne" with zinc plated steel stud

D	Design	d	A	B	C	▲ Standard length of stud L										Reference	g	Pack	
						08	10	15	20	25	30	40	50	60					
10	1	M3	4,5	4	8		▲	▲	▲	▲							6800-**	7/8	50 pcs
14	2	M3	9	3,5	8		▲	▲	▲	▲							6810-**	9/11	50 pcs
14	2	M4	9	3,5	8	▲	▲	▲	▲	▲			▲				6811-**	10/12	50 pcs
14	2	M5	9	3,5	8		▲	▲	▲	▲	▲	▲	▲	▲			6812-**	11/15	50 pcs
22	3	M4	12	8,5	12		▲	▲		▲							6820-**	13/15	50 pcs
22	3	M5	12	8,5	12		▲	▲	▲	▲	▲	▲	▲	▲			6821-**	14/19	50 pcs
22	3	M6	12	8,5	12		▲	▲	▲	▲	▲	▲	▲	▲			6822-**	15/25	50 pcs
28	4	M6	15	10	13		▲	▲	▲	▲			▲	▲			6850-**	15/25	50 pcs
28	4	M8	15	10	13			▲	▲	▲	▲	▲	▲	▲	▲		6851-**	25/40	50 pcs

\*\* Please fill in the length of stud L, example : 685140 for L : 40 mm.

# Knob Auvergne

(continued)

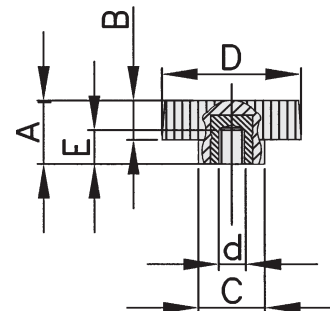
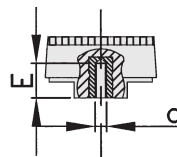
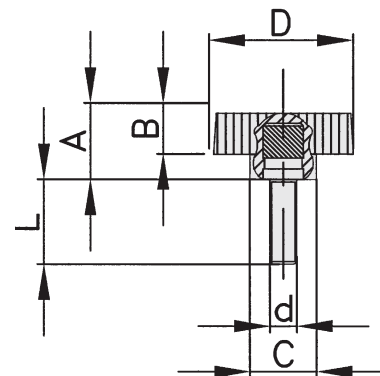
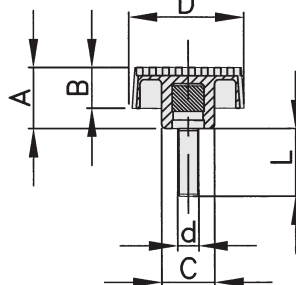
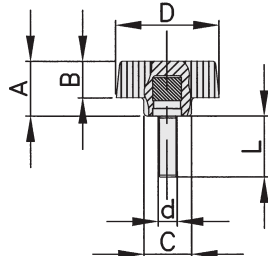
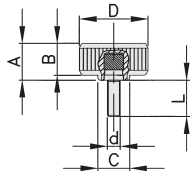
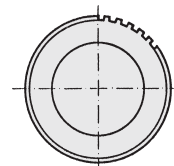
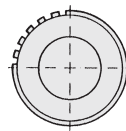
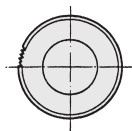
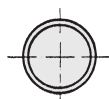


diameter 10 mm

diameter 14 mm

diameter 22 mm

diameter 28 mm



**design 1**  
zinc plated steel stud

**design 2**  
zinc plated steel stud

**design 3**  
brass insert, steel stud

**design 4**  
brass insert, steel stud