

Knob Cevennes

with internal thread

Knob in polyamid filled with microscopic glass beads, allowing for high-impact resistance and durability.

Standard color is black.

F Fastening, insert is in zinc-plated steel.

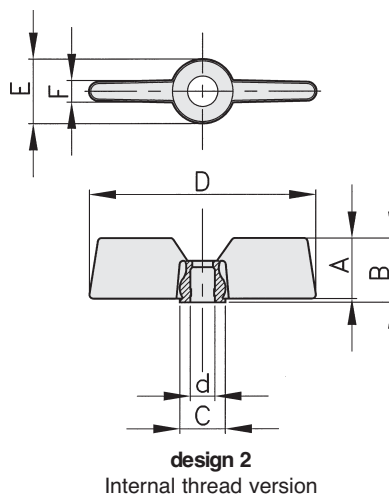
T Optimum utilisation between -50° to 130° Celsius, outstanding resistance to chemicals, oil as well as tough climatic conditions.



BOUTET introduced, in september 2009, the 1st full service e-shop for industrial components, with free access to live real-time stock levels. **SAME DAY UPS Shipping** to 45 countries, and satellite tracking of your parcels. The total customer experience.



Most BOUTET products can be "wrapped up" in high-tech silicone rubber for an amazing softness of touch. And silicone has also the highest temperature resistance, 280° Celsius.



Knob "Cevennes" with internal thread, design 2

D	d	A	B	C	E	F	Reference	Pack
41	M8	20	22	15	18	5	6272	50 pcs
59	M6	16,5	18	16	18	4	6250	50 pcs
59	M8	16,5	18	16	18	4	6251	50 pcs