

Nut Knurled Low, Din 467

Product in free-cutting steel, black oxide finish.

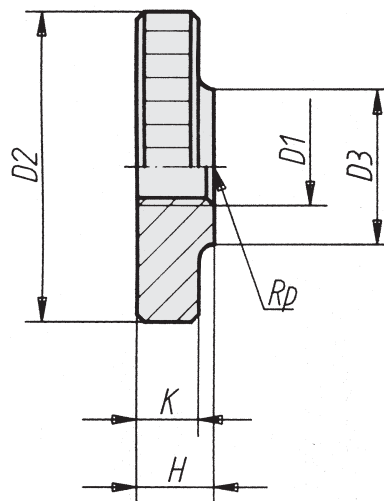
Product also available in stainless steel.



Photo showing the stainless steel version



BOUTET introduced, in september 2009, the 1st full service e-shop for industrial components, with free access to live real-time stock levels. **SAME DAY UPS Shipping** to 45 countries, and satellite tracking of your parcels. The total customer experience.



Nut knurled, low version

Nut knurled steel DIN 467

D1	D2	D3	H	K	Reference	g	Pack
M4	16	8	4	3,5	8672	6	50 pcs
M5	20	10	5	4	8673	10	50 pcs
M6	24	12	6	5	8674	18	50 pcs
M8	30	16	8	6	8675	33	20 pcs
M10	36	20	10	8	8676	58	20 pcs
M12	36	22	12	10	8677	100	20 pcs