

# Nut Knurled High, Din 466

Product in free-cutting steel, black oxide finish.

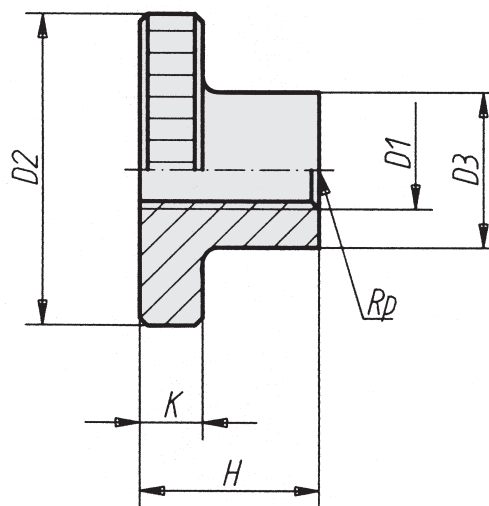
Product also available in stainless steel.



Photo showing the stainless steel version




BOUTET introduced, in september 2009, the 1<sup>st</sup> full service e-shop for industrial components, with free access to live real-time stock levels. **SAME DAY UPS Shipping** to 45 countries, and satellite tracking of your parcels. The total customer experience.



Nut knurled, high version

## Nut knurled DIN 466

D1	D2	D3	H	K	Reference	 Pack
M4	16	8	9,5	3,5	8666	7 50 pcs
M5	20	10	11,5	4	8667	13 50 pcs
M6	24	12	15	5	8668	24 50 pcs
M8	30	16	18	6	8669	46 20 pcs
M10	36	20	23	8	8670	88 20 pcs
M12	36	22	25	10	8671	125 20 pcs