

# Adjustable Handle

**Handle** made of **polyamid** filled with microscopic glass beads, allowing for high-impact resistance and durability. Standard color is black.

**Fastening**, zinc plated steel male inserts and brass female inserts.

**Optimum utilisation** between  $-50^{\circ}$  and  $130^{\circ}$  Celsius, outstanding resistance to chemicals, oil as well as tough climatic conditions.



BOUTET introduced, in september 2009, the 1<sup>st</sup> full service e-shop for industrial components, with free access to live real-time stock levels. **SAME DAY UPS Shipping** to 45 countries, and satellite tracking of your parcels. The total customer experience.



## Adjustable handle with brass insert

A	X	A1	D	D1	H	H1	H2	H3	H4	A2	Reference	g	Pack
45	M5	52,5	12	15	29	4	15	34	37	7,5	6060	12	20 pcs
45	M6	52,5	12	15	29	4	15	34	37	9	6061	12	20 pcs
65	M8	75	16	20	36	6	18	45	48	15	6063	25	20 pcs
80	M8	91,5	19	23	46	12	24	56	59	14	6064	46	20 pcs
80	M10	91,5	19	23	46	12	24	56	59	18	6070	46	10 pcs

## Adjustable handle with zinc plated steel stud

A	X	▲ Standard length of stud L			Reference	Pack
		20	25	30		
45	M6	▲	▲		6052-**	20 pcs
65	M8	▲	▲	▲	6054-**	20 pcs
80	M10	▲	▲	▲	6056-**	10 pcs

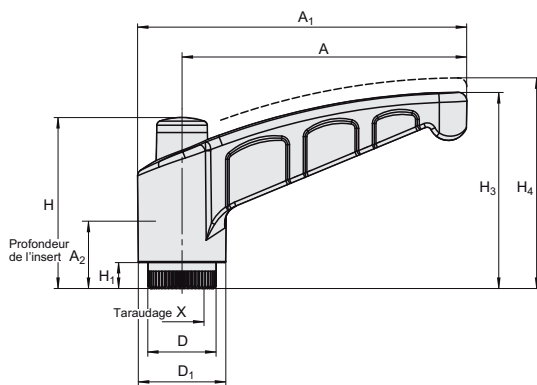
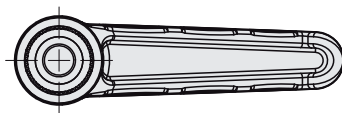
\*\* Please fill in the length of stud L, example : 6056**30** for L : **30** mm.

# Adjustable Handle

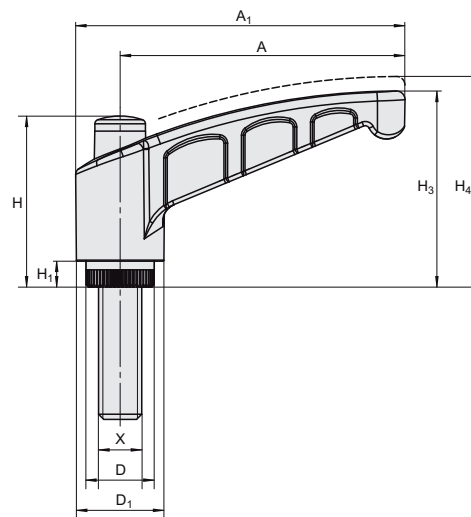
(continued)



BOUTET introduced, in september 2009, the 1<sup>st</sup> full service e-shop for industrial components, with free access to live real-time stock levels. **SAME DAY UPS Shipping** to 45 countries, and satellite tracking of your parcels. The total customer experience.



Brass insert



Zinc plated steel stud