

Handle in Steel

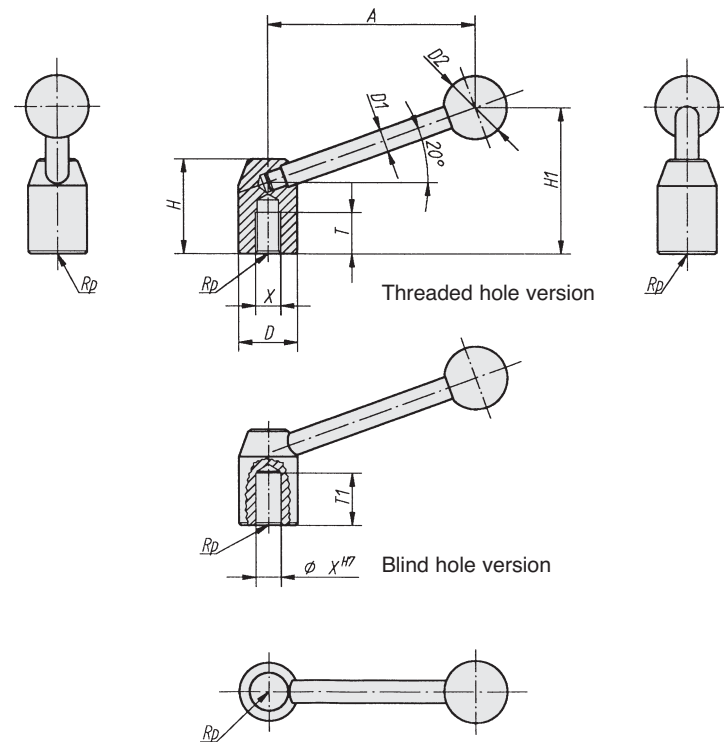
Handle in steel strength class 5.8.
Ball knob is in duroplast.



BOUTET introduced, in september 2009, the 1st full service e-shop for industrial components, with free access to live real-time stock levels. **SAME DAY UPS Shipping** to 45 countries, and satellite tracking of your parcels. The total customer experience.

Design

BOUTET works closely with a multi-national group of talented designers and a prominent European Design School.



Handle in steel

A	T	T1	D	D1	D2	H	H1	Threaded hole version		Blind hole version		g
								X	Reference	X _{H7}	Reference	
81	18	22	24	10	25	40	60	M8	7178	8	7180	170
81	19	22	24	10	25	40	60	M10	8121	10	8131	170
99	20	25	28	11	30	46	71	M12	8122	12	8132	260
99	20	25	28	11	30	46	71			14	7181	260
118	23	28	33	12	32	52	82	M16	8123	16	8133	380
118	23	28	33	12	32	52	82			18	7182	380
136	26	32	41	14	37	61	94	M20	8124	20	8134	660
163	28	34	45	15	37	65	107	M24	7179	24	7183	860