


Spring Plunger Steel

with bead and hexagonal socket
regular force / strong force

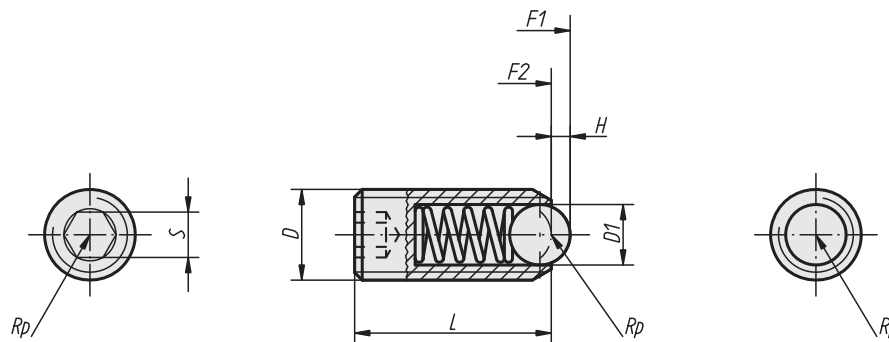
Spring plunger in steel. Body in steel strength class 5.8, black oxide finish. Bead in steel hardened and polished, spring in spring steel class D.

 During our manufacturing process, spring resistance is controlled by electronic and optical measurement devices.


Product also available in stainless steel.




Photo : steel version and stainless steel version



Spring plunger, regular force

D	D1	L	H	S	Spring force		Reference	 g	Pack
					initial F1 (approx. N)	final F2 (approx. N)			
M6	3,5	15	1	3	9	13	9766	2	25 pcs
M8	5	18	1,5	4	15	30	9767	4	25 pcs
M10	6	23	2	5	20	35	9768	8	25 pcs
M12	8	26	2,5	6	30	55	9769	12	10 pcs
M16	10	33	3,5	8	65	125	9770	31	10 pcs
M20	12	43	4,5	10	80	160	9771	64	5 pcs
M24	15	48	5,5	12	90	180	9772	100	5 pcs

Spring plunger, strong force

D	D1	L	H	S	Spring force		Reference	 g	Pack
					initial F1 (approx. N)	final F2 (approx. N)			
M6	3,5	15	1	3	28	40	9773	2	25 pcs
M8	5	18	1,5	4	47	73	9774	4	25 pcs
M10	6	23	2	5	66	100	9775	8	25 pcs
M12	8	26	2,5	6	66	120	9776	12	10 pcs
M16	10	33	3,5	8	90	180	9777	31	10 pcs
M20	12	43	4,5	10	115	240	9778	64	5 pcs
M24	15	48	5,5	12	130	270	9779	100	5 pcs