


Spring Plunger Steel

with bead and slot
regular force / strong force

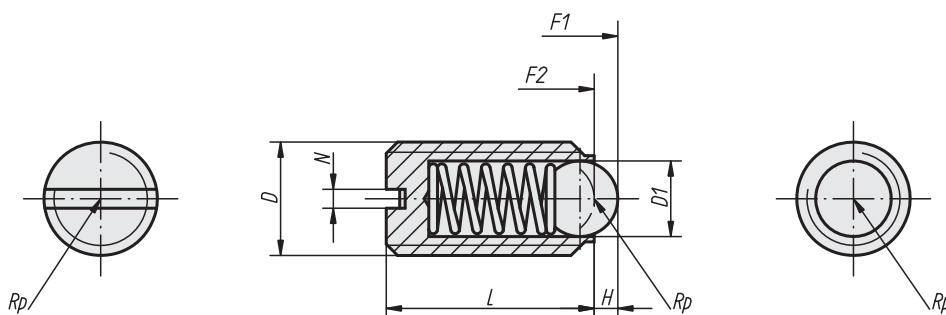
Spring plunger in steel. Body in steel strength class 5.8, black oxide finish. Bead in steel hardened and polished, spring in spring steel class D.

 **During our manufacturing process,** spring resistance is controlled by electronic and optical measurement devices.

Product also available in stainless steel.



Photo : steel version and stainless steel version



Spring plunger, regular force

D	D1	L	H	N	Spring force		Reference	g	Pack
					initial F1 (approx. N)	final F2 (approx. N)			
M3	1,5	7	0,5	0,4	1,5	3	8370	0,2	50 pcs
M4	2,5	9	0,8	0,6	4	10	8371	0,6	50 pcs
M5	3	12	0,9	0,8	6	11	8372	0,9	50 pcs
M6	3,5	14	1	1	9	13	8373	1,5	50 pcs
M8	5	16	1,5	1,2	15	30	8374	3,5	50 pcs
M10	6	19	2	1,6	20	35	8375	7,0	50 pcs
M12	8	22	2,5	2	30	55	8376	10,0	25 pcs
M16	10	24	3,5	2,5	65	125	8377	24,0	25 pcs
M20	12	30	4,5	2,5	80	160	8378	44,3	10 pcs

Spring plunger, strong force

D	D1	L	H	N	Spring force		Reference	g	Pack
					initial F1 (approx. N)	final F2 (approx. N)			
M5	3	12	0,9	0,8	19	30	7036	0,9	50 pcs
M6	3,5	14	1	1	28	40	7037	1,5	50 pcs
M8	5	16	1,5	1,2	47	73	7038	3,5	50 pcs
M10	6	19	2	1,6	66	100	7039	7,0	25 pcs
M12	8	22	2,5	2	66	120	7040	10,0	25 pcs
M16	10	24	3,5	2,5	90	180	7041	24,0	10 pcs
M20	12	30	4,5	2,5	115	240	7042	44,3	10 pcs