


# Spring Plunger Push Fit

thermoplastic with  
**stainless steel** bead

Spring plunger has a black body in thermoplastic, with a stainless steel bead, and a spring in spring steel class D.

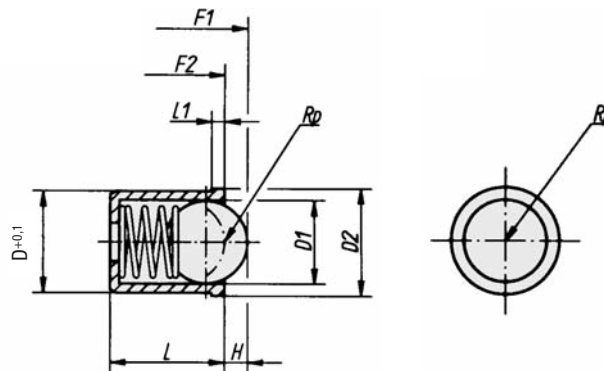
 During our manufacturing process, spring resistance is controlled by electronic and optical measurement devices.

Product also available in **stainless steel**.



001

Prototypes of special products can be manufactured upon request, usually within a week and immediately sent to your office for comment.



## Spring plunger thermoplastic

D <sup>+0,1</sup>	D1	D2	L	L1	H	Spring force		Reference	g	Pack
						initial F1 (approx. N)	final F2 (approx. N)			
4	3	4,6	5	1	0,7	3	7	8537	0,3	50 pcs
5	4	5,6	6	1	1	4	7	8538	0,6	50 pcs
6	5	6,5	7	1	1,5	6	12	8539	1,0	50 pcs
8	6,5	8,5	9	1	1,8	6	12	8540	2,0	50 pcs