

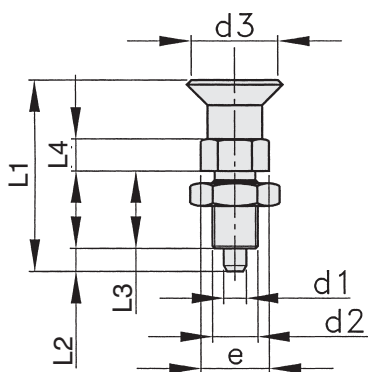
Index Plunger

“large batch” version

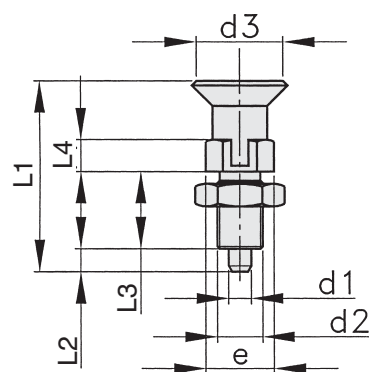
Knob in polyamid filled with microscopic glass beads, allowing for high-impact resistance and durability. Standard color black.

Fastening, steel insert strength class 5.8.

Optimum utilisation between -50° and 130° Celsius, outstanding resistance to chemicals, oils as well as tough climatic conditions.



Without slot and with locking nut



With slot and with locking nut

Index plunger with locking nut

d2	d1 ^{-0.02} _{-0.04}	d3	e	L1	L2	L3	L4	SW	Reference	g
M10x1,0	5	21	13,8	44	5	17	5	12	6310	23
M12x1,5	6	25	16,2	53	6	20	6	14	6311	38
M16x1,5	8	31	21,9	67	8	26	8	19	6312	88

Index plunger with locking nut and with slot

d2	d1 ^{-0.02} _{-0.04}	d3	e	L1	L2	L3	L4	SW	Reference	g
M10x1,0	5	21	13,8	49	5	17	5	12	6304	26
M12x1,5	6	25	16,2	59	6	20	6	14	6305	40
M16x1,5	8	31	21,9	73,5	7	26	8	19	6306	90