

# Handle Ancrage

## slim version

**Handle** is made of **polyamid** filled with microscopic glass beads, allowing for high-impact resistance and durability. Standard color is black. Design patented.

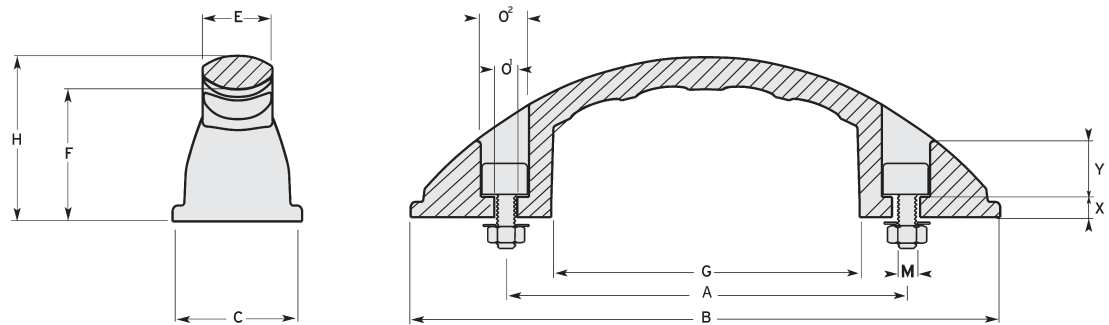
**Fastening**, handle includes fastening zinc plated steel material. Including black galvanized head screws (chromium VI free) with hexagon sockets DIN 912 and galvanized nuts DIN 934 with washers DIN 125.

**Optimum utilisation** between  $-50^{\circ}$  and  $130^{\circ}$  Celsius, outstanding resistance to chemicals, oil as well as tough climatic conditions.

**Minimum mechanical** stress resistance, 1200 Newtons (120 Kgf)




BOUTET introduced, in september 2009, the 1<sup>st</sup> full service e-shop for industrial components, with free access to live real-time stock levels. **SAME DAY UPS Shipping** to 45 countries, and satellite tracking of your parcels. The total customer experience.



Handle includes fastening material

Handle "Ancrage" slim version in **high resistance polyamid**

A	Fastening M	B	C	H	F	G	E	O'	O <sup>2</sup>	X	Y	Reference	 g	Pack
100	M6 x 25	147	31	40	32	77	17	7	12	5	25	16.042	79	5 pcs
120	M6 x 25	184	39	42	33	96	19	7	12	6	25	16.043	95	5 pcs