

# Handle Arche

**Handle** is made of **polyamid** filled with microscopic glass beads, allowing for high-impact resistance and durability. Standard color is black. Design patented.

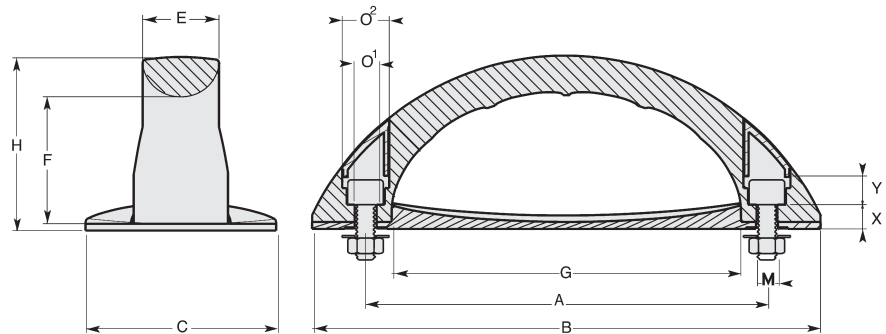
**Fastening**, handle includes 2 caps and fastening zinc plated steel material, and plate. Including black galvanized head screws (chromium VI free) with hexagon sockets DIN 912 and galvanized nuts DIN 934 with washers DIN 125.

**Optimum utilisation** between  $-50^{\circ}$  and  $130^{\circ}$  Celsius, outstanding resistance to chemicals, oil as well as tough climatic conditions.

**Minimum mechanical** stress resistance, 1200 Newtons (120 Kgf).



BOUTET introduced, in september 2009, the 1<sup>st</sup> full service e-shop for industrial components, with free access to live real-time stock levels. **SAME DAY UPS Shipping** to 45 countries, and satellite tracking of your parcels. The total customer experience.



Handle including caps, fastening material and plate

## Handle "Arche" in high resistance polyamid

A	Fastening M	B	C	H	F	G	E	O'	O <sup>2</sup>	X	Y	Caps	Reference	g	Pack
120	M6 x 25	152	57	52	36	104	23	7	12	7	25	2	16.032	132	5 pcs
140	M8 x 30	177	62	56	37	122	25	9,5	16	7,5	30	2	16.033	176	5 pcs