

Handle Envergure

slim version

Handle is made of **polyamid** filled with microscopic glass beads, allowing for high-impact resistance and durability. Standard color is black. Design patented.

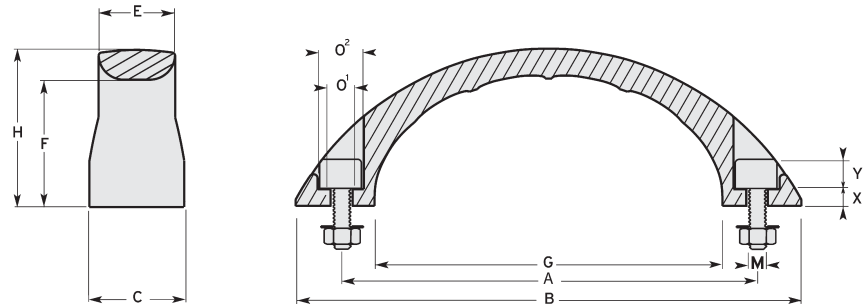
Fastening, handle includes fastening zinc plated steel material. Including black galvanized head screws (chromium VI free) with hexagon sockets DIN 912 and galvanized nuts DIN 934 with washers DIN 125.

Optimum utilisation between -50° and 130° Celsius, outstanding resistance to chemicals, oil as well as tough climatic conditions.

Minimum mechanical stress resistance, 1200 Newtons (120 Kgf).



BOUTET introduced, in september 2009, the 1st full service e-shop for industrial components, with free access to live real-time stock levels. **SAME DAY UPS Shipping** to 45 countries, and satellite tracking of your parcels. The total customer experience.



Handle includes fastening material

Handle "Envergure" slim version in **high resistance polyamid**

A	Fastening M	B	C	H	F	G	E	O'	O ²	X	Y	Reference	g	Pack
100	M6 x 25	121	23	37	31	84	19	7	11	4	25	16.005	68	5 pcs