

# Handle Envergure

**Handle** is made of **polyamid** filled with microscopic glass beads, allowing for high-impact resistance and durability. Standard color is black. Design patented.

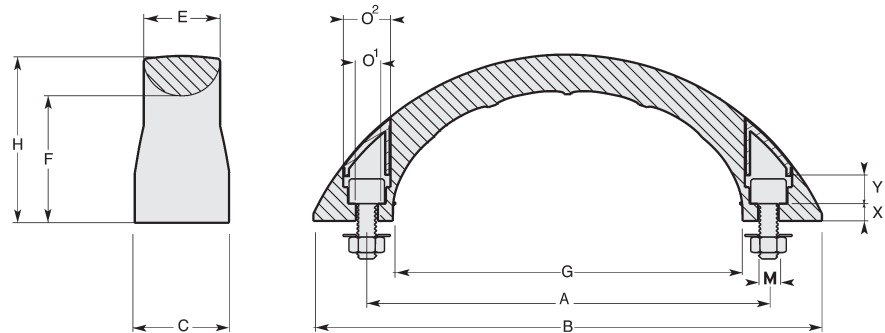
**Fastening**, handle includes 2 caps and fastening zinc plated steel material. Including black galvanized head screws (chromium VI free) with hexagon sockets DIN 912 and galvanized nuts DIN 934 with washers DIN 125.

**Optimum utilisation** between  $-50^{\circ}$  and  $130^{\circ}$  Celsius, outstanding resistance to chemicals, oil as well as tough climatic conditions.

**Minimum mechanical** stress resistance, 1200 Newtons (120 Kgf).



BOUTET introduced, in september 2009, the 1<sup>st</sup> full service e-shop for industrial components, with free access to live real-time stock levels. **SAME DAY UPS Shipping** to 45 countries, and satellite tracking of your parcels. The total customer experience.



Handle including caps and fastening material

## Handle "Envergure" in high resistance polyamid

| A   | Fastening M | B   | C  | H  | F  | G   | E  | O'  | O <sup>2</sup> | X   | Y  | Caps | Reference | g   | Pack  |
|-----|-------------|-----|----|----|----|-----|----|-----|----------------|-----|----|------|-----------|-----|-------|
| 120 | M6 x 25     | 152 | 28 | 50 | 38 | 105 | 23 | 7   | 12             | 5   | 25 | 2    | 16.012    | 95  | 5 pcs |
| 140 | M8 x 30     | 177 | 31 | 54 | 39 | 122 | 25 | 9,5 | 16             | 5,5 | 30 | 2    | 16.013    | 129 | 5 pcs |