

Handle Atos

Handle is made of **polyamid** filled with microscopic glass beads, allowing for high-impact resistance and durability. Standard color is black. Design patented.

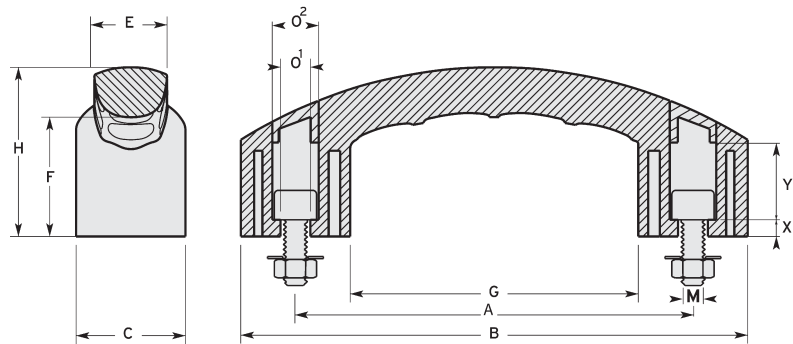
Fastening, handle includes 2 caps and fastening zinc plated steel material. Including black galvanized head screws (chromium VI free) with hexagon sockets DIN 912 and galvanized nuts DIN 934 with washers DIN 125.

Optimum utilisation between -50° and 130° Celsius, outstanding resistance to chemicals, oil as well as tough climatic conditions.

Minimum mechanical stress resistance, 1200 Newtons (120 Kgf).




BOUTET introduced, in september 2009, the 1st full service e-shop for industrial components, with free access to live real-time stock levels. **SAME DAY UPS Shipping** to 45 countries, and satellite tracking of your parcels. The total customer experience.



Handle including caps and fastening material

Handle "Atos" in high resistance polyamid

A	Fastening M	B	C	H	F	G	E	O ¹	O ²	X	Y	Caps	Reference		Pack
120	M8 x 30	153	33	51	36	87	22	9	14	5	30	2	16.075	121	5 pcs
140	M8 x 30	178	38	59	42	101	26	9,5	15	6	30	2	16.076	168	5 pcs