



Handle Saturne

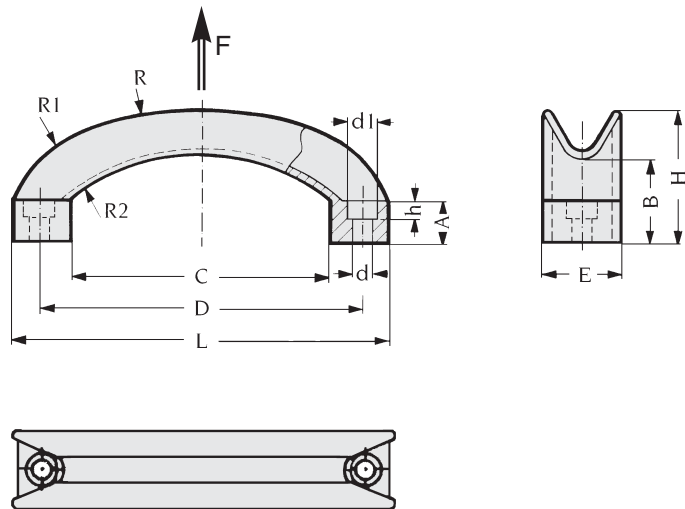
Handle is made of **polyamid** filled with microscopic glass beads, allowing for high-impact resistance and durability. Standard color is black. Design patented.

 **Optimum utilisation** between -50° and 130° Celsius, outstanding resistance to chemicals, oil as well as tough climatic conditions.


 **Minimum mechanical** stress resistance, 1200 Newtons (120 Kgf).



BOUTET introduced, in september 2009, the 1st full service e-shop for industrial components, with free access to live real-time stock levels. **SAME DAY UPS Shipping** to 45 countries, and satellite tracking of your parcels. The total customer experience.



Handle "Saturne" in **high resistance polyamid**

D	Fastening	d	d1	h	L	A	B	C	E	H	R	R2	F(N)	without metal inserts Reference	Color	 g	Pack
114	M6	6,5	10,5	6,5	134	15	29	92	28	48	117	79	1200	3011N	color black	37	10 pcs
114	M6	6,5	10,5	6,5	134	15	29	92	28	48	117	79	1200	3011	anthracite grey	37	10 pcs