

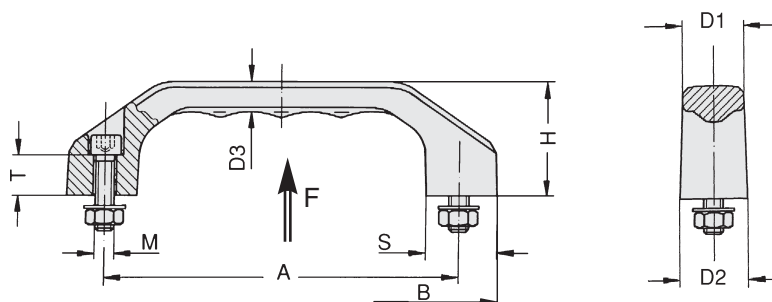
Handle Fabula

Handle is made of **polyamid** filled with microscopic glass beads, allowing for high-impact resistance and durability. Standard color is black. Design patented.

Fastening, handle includes fastening zinc plated steel material. Including black galvanized head screws (chromium VI free) with hexagon sockets DIN 912 and galvanized nuts DIN 934 with washers DIN 125.

Optimum utilisation between -50° and 130° Celsius, outstanding resistance to chemicals, oil as well as tough climatic conditions.

Minimum mechanical stress resistance, 1200 Newtons (120 Kgf).



Handle includes fastening material

Handle "Fabula" in high resistance polyamid

A	Fastening M	T	B	H	D1	D2	D3	S	F(N)	Reference	kg	Pack
100	M5 x 22	13	122	33	17	19	8,5	20	1000	10435	49	10 pcs
120	M6 x 25	15	146	39	20,5	23	10,5	24	1000	10436	88	10 pcs
140	M8 x 30	16	170	45	24	27	12	28	1200	10400	158	10 pcs
160	M8 x 35	20	194	52	27,5	31	13,5	32	1500	10437	212	5 pcs
180	M10 x 40	20	218	58	31	35	15,5	36	2000	10438	350	5 pcs