

Handle Harmony

Handle is made of **polyamid** filled with microscopic glass beads, allowing for high-impact resistance and durability. Standard color is black. Design patented.

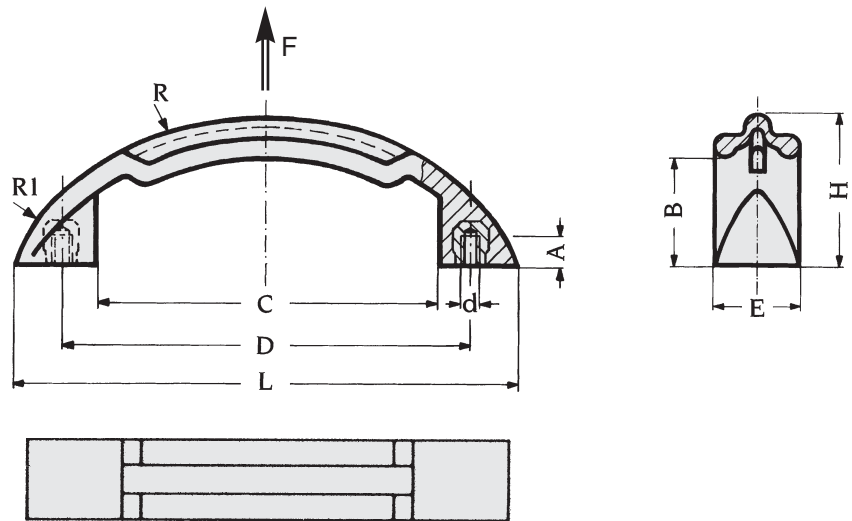
Fastening, steel zinc plated inserts.

Optimum utilisation between -50° and 130° Celsius, outstanding resistance to chemicals, oil as well as tough climatic conditions.

Minimum mechanical stress resistance, 1200 Newtons (120 Kgf).



BOUTET introduced, in september 2009, the 1st full service e-shop for industrial components, with free access to live real-time stock levels. **SAME DAY UPS Shipping** to 45 countries, and satellite tracking of your parcels. The total customer experience.



Version with zinc plated steel inserts

Handle "Harmony" in **high resistance polyamid**

| D | d | F(N) | L | E | H | B | C | R | A | Reference | Color | g | Pack |
|-----|----|------|-----|----|------|----|----|----|---|-----------|-----------------|----|--------|
| 119 | M6 | 1200 | 150 | 25 | 43,5 | 33 | 98 | 94 | 9 | 3021N | color black | 45 | 10 pcs |
| 119 | M6 | 1200 | 150 | 25 | 43,5 | 33 | 98 | 94 | 9 | 3021 | anthracite grey | 45 | 10 pcs |