

# Handle Normandie

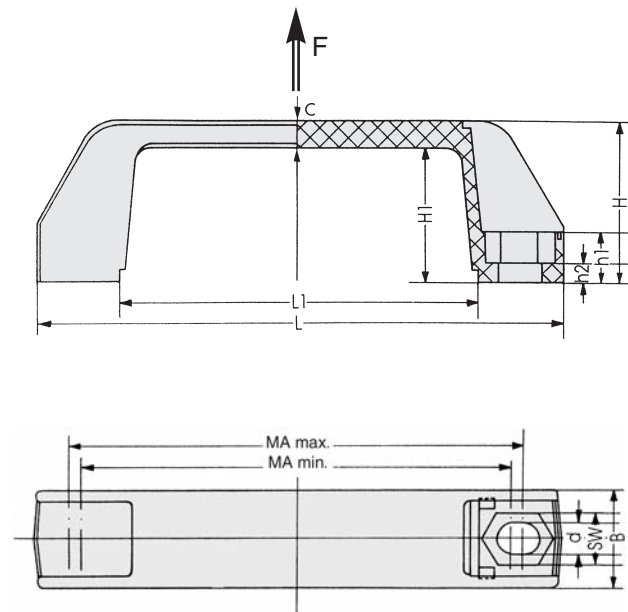
**Handle** is made of **polyamid** filled with microscopic glass beads, allowing for high-impact resistance and durability. Standard color is black. Design patented.

**Fastening**, customer can order 2 caps separately for each handle, see below.

**Optimum utilisation** between  $-50^{\circ}$  and  $130^{\circ}$  Celsius, outstanding resistance to chemicals, oil as well as tough climatic conditions.

**Minimum mechanical** stress resistance, 1200 Newtons (120 Kgf).

The caps have to be ordered separately.



## Accessory

Reference for the handle	the cap Reference	the elevator Reference
6900	6920	6922 (15 mm)
6901	6921	6923 (20 mm)
6902	6921	6923 (20 mm)

the cap and the elevator must be ordered separately.

## Handle "Normandie" in high resistance polyamid

MA	Fastening	L	L1	H	H1	B	h1	h2	d	C	SW	F(N)	without fastening Reference	kg	Pack
90-94	M6	110	72,5	36	30	21	12	5	6,5	6	10/10	1200	6900	28	10 pcs
112-118	M8	137	92,5	42	35	26	13,5	5	8,5	7	13/13	1200	6901	37	10 pcs
126-132	M8	151	106,5	42	35	26	13,5	5	8,5	7	13/13	1500	6902	45	10 pcs