

# Handle Sybèle

Handle is in reinforced **duroplast**, high-gloss finish. Standard color black.

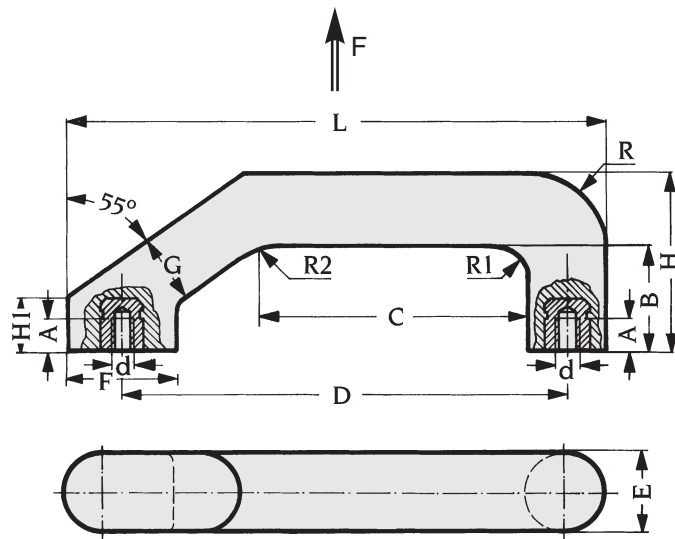
**Fastening**, inserts in brass or zinc plated steel.

**Optimum utilisation** between  $-50^{\circ}$  and  $155^{\circ}$  Celsius, outstanding resistance to chemicals, oil as well as tough climatic conditions.

**Minimum mechanical** stress resistance, 2200 Newtons (220 Kgf).



BOUTET introduced, in september 2009, the 1<sup>st</sup> full service e-shop for industrial components, with free access to live real-time stock levels. **SAME DAY UPS Shipping** to 45 countries, and satellite tracking of your parcels. The total customer experience.



Inserts in brass or zinc plated steel

## Handle "Sybele" in duroplast

D	d	F(N)	A	B	C	L	E	F	G	H	H1	R	R1	R2	Version	Reference	g	Pack
140	M8	2200	14	32	82	170	25	35	22	57	17	25	8	12	inserts in brass	2601	180	5 pcs
140	M8	2200	14	32	82	170	25	35	22	57	17	25	8	12	inserts in steel	2602	180	5 pcs