

Handle Orion

in aluminium

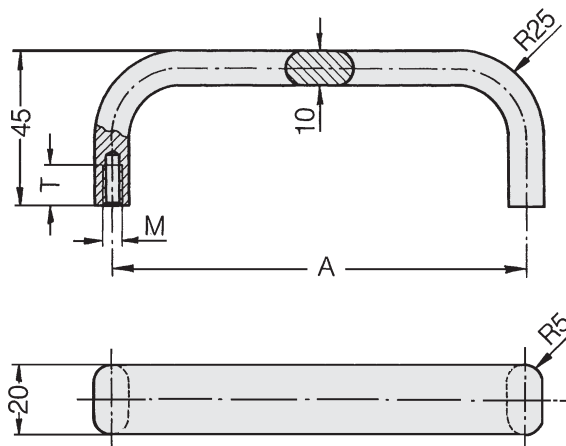
Handle made of flat-oval profiled aluminium AlMgSi 0.5. Ground and anodized with a matte finish in natural colour.

Minimum mechanical stress resistance, 800 Newtons (80 Kgf)

Product also available in stainless steel.



BOUTET introduced, in september 2009, the 1st full service e-shop for industrial components, with free access to live real-time stock levels. **SAME DAY UPS Shipping** to 45 countries, and satellite tracking of your parcels. The total customer experience.



Handle "Orion" in aluminium

A	M	T	Reference	g	Pack
120	M5	10	10.197*	84	5 pcs
140	M5	10	10.940*	95	5 pcs
180	M5	10	10.198*	114	5 pcs
200	M5	10	10.199*	123	5 pcs
350	M6	12	10.200*	195	5 pcs

* Add N for black color and price upon request (example : 10.197N)