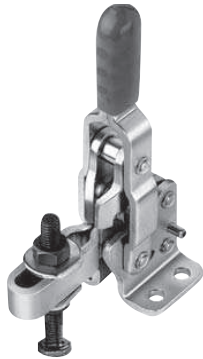


Clamp Vertical

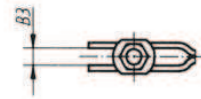
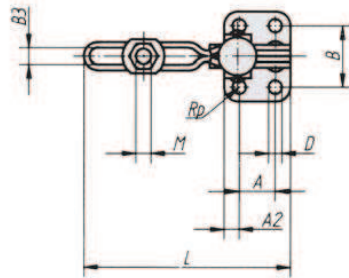
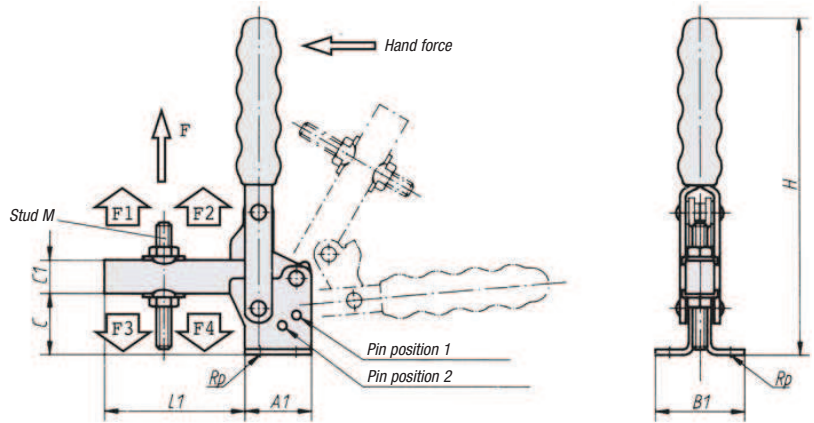
with adjustable spindle



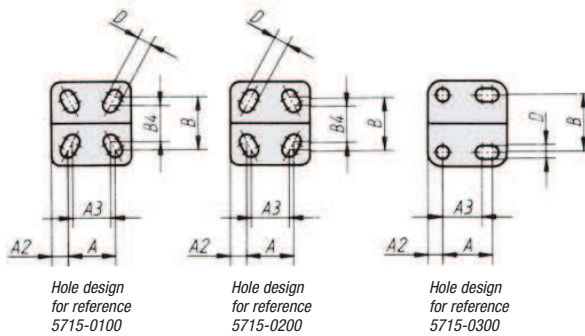
Clamp in zinc plated and passivated steel.

F Fastening, supplied complete with setscrews and nuts.

This clamp is also available in stainless steel AISI 304.



Open arm for reference 5715-0100, 5715-0200, 5715-0300



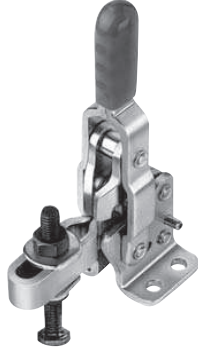
Technical data for your guidance

| Reference | Arm opens through | | | Handle opens through | | | Hand force N | Holding force | | Clamping force | |
|-----------|-------------------|-------|-------------|----------------------|-------|-------------|-----------------|---------------|-------|----------------|-------|
| | Pos.1 | Pos.2 | without pin | Pos.1 | Pos.2 | without pin | | F1(N) | F2(N) | F3(N) | F4(N) |
| 5715-0075 | 130° | - | 160° | 90° | - | 100° | 80 | 700 | 1100 | 500 | 750 |
| 5715-0100 | 95° | - | 185° | 65° | - | 105° | 80 | 700 | 1000 | 500 | 800 |
| 5715-0150 | 95° | - | 185° | 75° | - | 110° | 120 | 1350 | 1650 | 800 | 1050 |
| 5715-0200 | 105° | - | 175° | 70° | - | 95° | 100 | 1000 | 2200 | 950 | 1350 |
| 5715-0250 | 95° | 125° | 160° | 70° | ±85° | 100° | 190 | 1000 | 2800 | 900 | 1700 |
| 5715-0300 | 105° | -° | 160° | 65° | - | 90° | 130 | 2000 | 3700 | 900 | 1850 |
| 5715-0350 | 90° | 120° | 180° | 70° | 80° | 110° | 230 | 2200 | 4500 | 1400 | 3000 |
| 5715-0450 | 90° | 125° | 180° | 70° | 85° | 110° | 260 | 3200 | 7000 | 1400 | 3000 |
| 5715-0550 | 90° | 120° | 180° | 65° | 80° | 110° | 290 | 3000 | 8000 | 1800 | 3900 |

Clamp Vertical

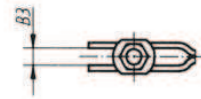
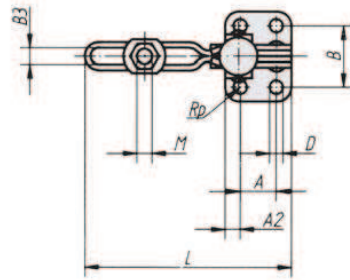
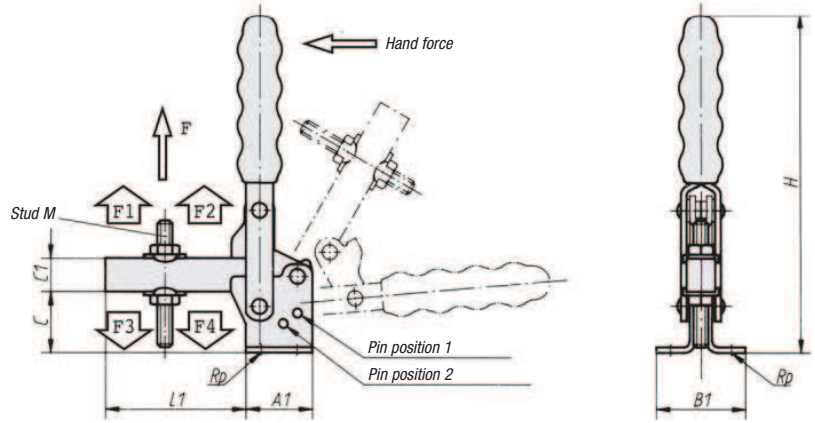
(continued)

with adjustable spindle

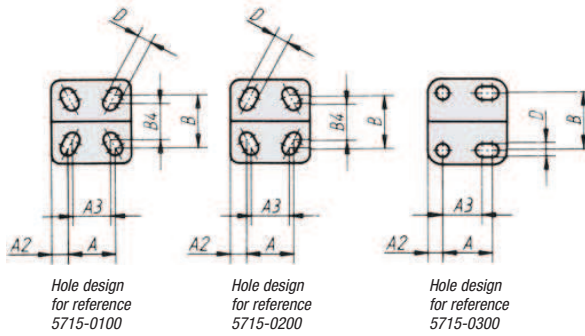


lifetime warranty made by Brauer ltd

This particular product range, the toggle clamp, is not made by BOUTET. The manufacturing company is Brauer limited of England, supplying primarily the demanding automotive and aeronautics sectors with a lifetime warranty of 1 million cycles.



Open arm for reference 5715-0100, 5715-0200, 5715-0300



Dimensions of the clamp

| Stud M | A | A1 | A2 | A3 | B | B1 | B3 | B4 | C | C1 | D | H | L | L1 | Holding force F(N) | Reference | kg |
|---------|------|----|------|------|------|----|------|------|----|------|------|-----|-----|-----|--------------------|------------|------|
| M5x35 | 16 | 26 | 5 | - | 24 | 34 | 5,5 | - | 16 | 9 | 4,4 | 98 | 57 | 31 | 750 | 5715-0075* | 0,05 |
| M5x35 | 16 | 28 | 6 | 14 | 24 | 34 | 5,5 | 17,5 | 22 | 9,5 | 4,8 | 103 | 67 | 39 | 1000 | 5715-0100 | 0,10 |
| M6x50 | 12,7 | 27 | 7 | - | 27 | 38 | 6,4 | - | 23 | 11 | 5,1 | 125 | 70 | 43 | 1500 | 5715-0150* | 0,15 |
| M6x50 | 19 | 35 | 8 | 12,7 | 27 | 42 | 6,3 | 25 | 29 | 12,7 | 5,5 | 135 | 79 | 44 | 2000 | 5715-0200 | 0,20 |
| M8x60 | 19 | 35 | 8 | - | 32 | 45 | 8,8 | - | 32 | 17,5 | 7,1 | 175 | 110 | 74 | 2500 | 5715-0250* | 0,38 |
| M8x60 | 25 | 43 | 9 | 19 | 34,5 | 52 | 8,8 | - | 34 | 19 | 8 | 186 | 143 | 100 | 3000 | 5715-0300 | 0,48 |
| M10x80 | 32 | 50 | 9 | - | 45 | 64 | 10,6 | - | 43 | 22 | 8,3 | 220 | 146 | 95 | 3500 | 5715-0350 | 0,80 |
| M12x100 | 32 | 53 | 10 | - | 45 | 64 | 12,7 | - | 51 | 25 | 8,7 | 228 | 177 | 122 | 4500 | 5715-0450 | 1,35 |
| M16x150 | 51 | 76 | 12,5 | - | 70 | 95 | 16,5 | - | 82 | 32 | 12,3 | 312 | 231 | 154 | 5500 | 5715-0550 | 2,40 |