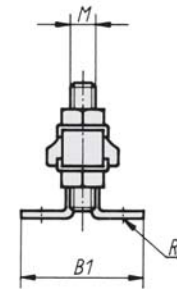
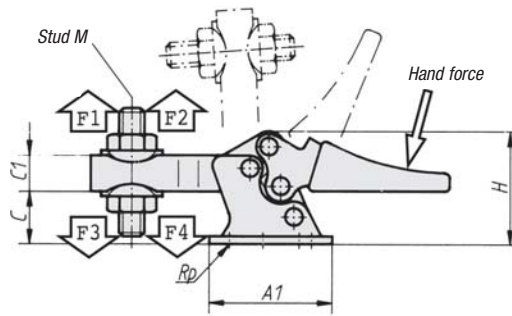


# Clamp Miniature Horizontal

with ajustable spindle



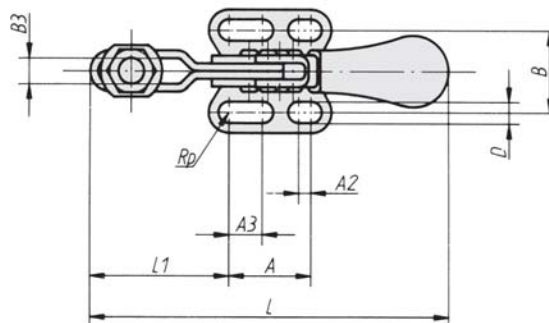
Clamp in zinc plated and passivated steel.

**↑ Fastening**, supplied complete with setscrews and nuts.

This clamp is also available in stainless steel.

lifetime warranty made by Brauer ltd

This particular product range, the toggle clamp, is not made by BOUTET. The manufacturing company is Brauer limited of England, supplying primarily the demanding automotive and aeronautics sectors with a lifetime warranty of 1 million cycles.



## Technical data for your guidance

Reference	Arm opens through			Handle opens through			Hand force N	Holding force		Clamping force	
	Pos.1	Pos.2	without pin	Pos.1	Pos.2	without pin		F1(N)	F2(N)	F3(N)	F4(N)
5765-0050	85°	-	-	65°	-	-	80	250	550	170	370

## Dimensions of the clamp

Stud M	A	A1	A2	A3	B	B1	B3	C	C1	D	H	L	L1	Reference	kg
M5x20	16	24	2,4	6,5	16	24	5,2	11,5	7	4,2	22	70	26	5765-0050*	0,036