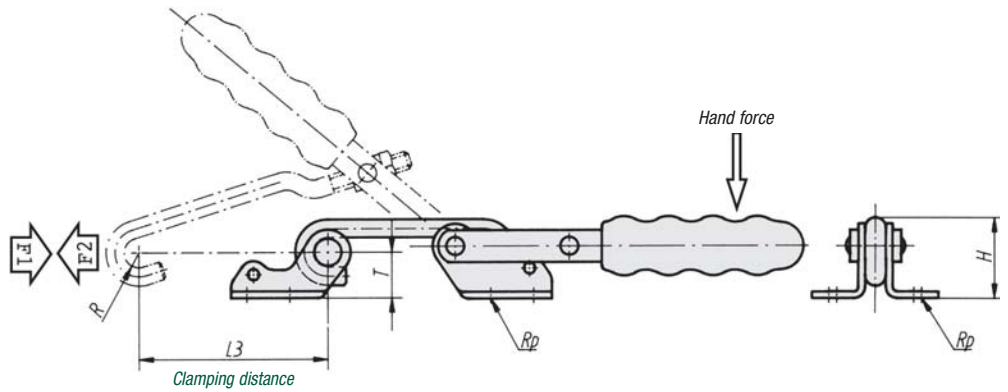
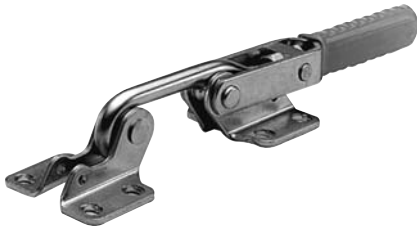


# Clamp Horizontal Hook

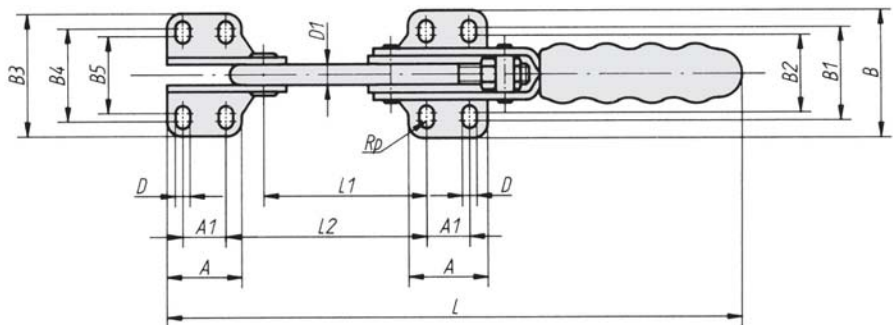


Clamp in zinc plated and passivated steel.

This clamp is also available in stainless steel AISI 304.

lifetime warranty made by Brauer ltd

This particular product range, the toggle clamp, is not made by BOUTET. The manufacturing company is Brauer limited of England, supplying primarily the demanding automotive and aeronautics sectors with a lifetime warranty of 1 million cycles.



## Technical data for your guidance

Reference	Pulling force F1(N)	Holding force F2(N)	Hand force N	Handle opens through
5820-0130	1500	2000	100	155°
5820-0270	3000	4000	160	155°
5820-0430	4000	7000	200	155°

## Dimensions of the clamp

A	A1	B	B1	B2	B3	B4	B5	D	D1	H	L	L1	L2	L3	R	T	Reference	kg
26	13	40	26	21,5	43	31	26	5,2	6	26	156	45	58	70	6	13,5	5820-0130*	0,10
35	19	51	36	29	51	36	29	6,5	8	37	248	68	84	90	7	21	5820-0270*	0,35
51	32	72	52,5	43,5	78	59	50	8,5	12	49	310	84	104	115	10	27	5820-0430*	1,00