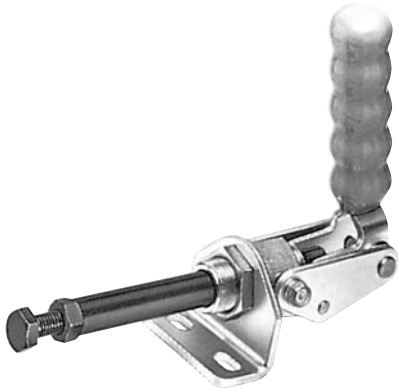


Clamp Push-Pull

with base

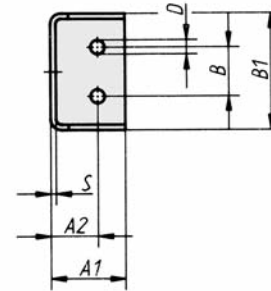
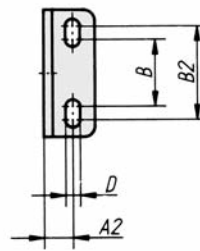
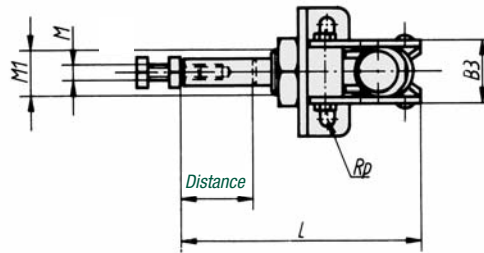
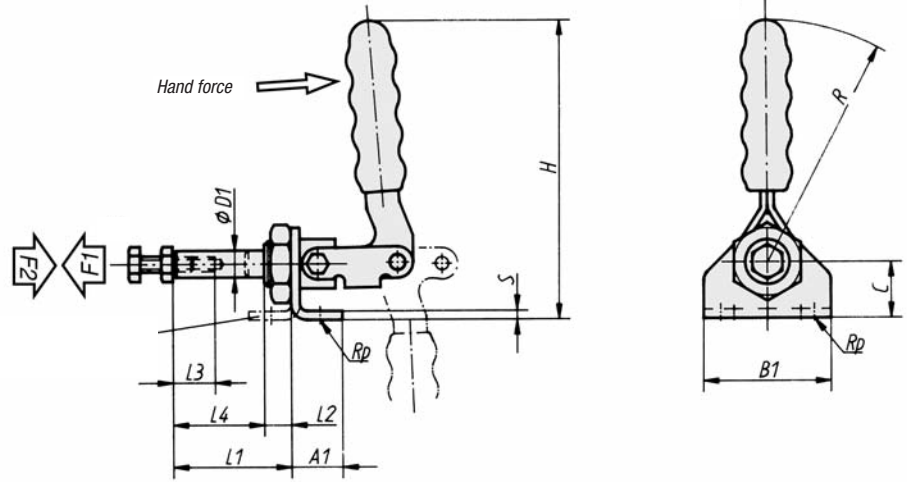


Clamp in zinc plated and passivated steel.

This clamp is also available in stainless steel.

lifetime warranty made by Brauer ltd

This particular product range, the toggle clamp, is not made by BOUTET. The manufacturing company is Brauer limited of England, supplying primarily the demanding automotive and aeronautics sectors with a lifetime warranty of 1 million cycles.



Base mounting as indicated for reference 5837-0400

Base design for references 5837-0200, 5837-0400, 5837-0100

Technical data for your guidance

Reference	Clamping force F1(N)	Holding force F2(N)	Hand force N	Handle opens through
5837-0100	500	1000	40	190°
5837-0200	2000	2000	50	190°
5837-0400	2500	4000	150	190°

Dimensions of the clamp

Stud M	A1	A2	B	B1	B2	B3	C	D	D1	H	L	L1	L2	L3	L4	M1	S	R	Distance	Reference	kg
M6x25	30	13,5	18	44	-	25	26	5,2	10	96	68	33	10	15	23	M16x1,5	2	68	21	5837-0100*	0,150
M8x40	23	13	30	57	42	30	25	6,5	12	137	110	54	13	25	41	M20x1,5	4	112	41	5837-0200*	0,353
M10x50	30	18	30	64	45	42	30	8,5	16	150	175	88	17	35	71	M24x1,5	5	120	68	5837-0400*	0,800