
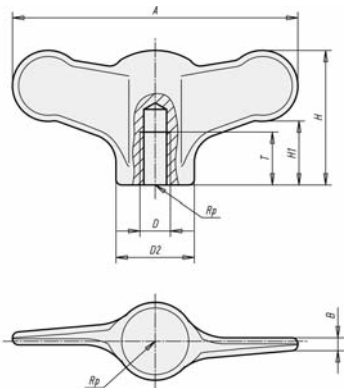


Knob Jupiter

full stainless steel version

Knob in stainless steel AISI 304, material 1.4308 (X 5 Cr Ni 18.10 steel). High-gloss finish.

 Threaded stud version upon request



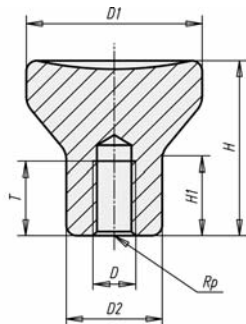
Knob "Jupiter" full stainless steel

D	D2	A	B	H	H1	T	Reference	g
M5	14	50	2,3	24	11,5	10	122.420i	35
M6	14	50	2,3	24	11,5	10	122.421i	35
M8	21	75	3,4	35	16,5	14	122.422i	121
M10	21	75	3,4	35	16,5	14	122.423i	121

Knob Sirius

full stainless steel version

Knob in full stainless steel 8 CrNiS 18.9, material 1.4305 (AISI 303), polished by hand.



Knob "Sirius" full stainless steel

D	D1	D2	H	H1	T	Reference	g
M4	21	12	21	10	10	122.416i	30
M5	21	12	21	10	10	122.417i	30
M6	25	14	25	12	10	122.418i	49
M8	33	18	33	15	14	122.419i	113