

Knob Fabrique

stainless steel version

Knob in polyamid filled with microscopic glass beads, allowing for high-impact resistance and durability.

Standard color is black.

Fastening, insert is in stainless steel 18.9 (AISI 303).

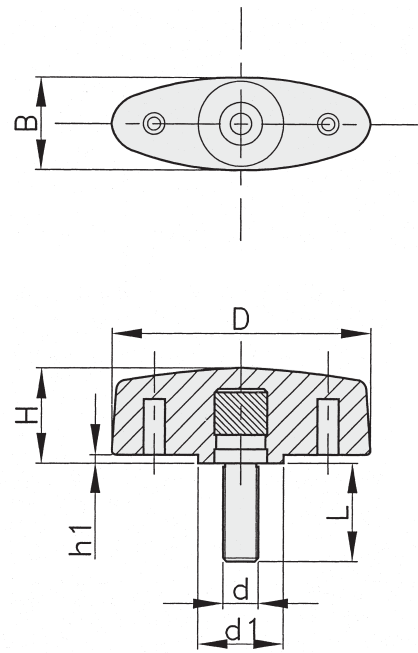
Optimum utilisation between -50° to 130° Celsius, outstanding resistance to chemicals, oil as well as tough climatic conditions.



Special versions of our products can easily be manufactured. Quotations and prototypes are made upon request. Tooling costs can eventually be financed over 5 years.



Most BOUTET products can be "wrapped up" in high-tech silicone rubber for an amazing softness of touch. And silicone has also the highest temperature resistance, 280° Celsius.



External thread version

Knob "Fabrique" with stainless steel stud

▲ Standard length of stud L

D	d	B	d1	H	h1	16	20	30	Reference	g	Pack
26	M5	11	12	12,5	0,8	▲	▲		6960-**i	15/20	20 pcs
34	M6	16	14	16,5	0,8	▲	▲		6961-**i	22/26	20 pcs
34	M8	16	14	16,5	0,8		▲	▲	6962-**i	25/28	20 pcs

** Please fill in the length of stud L, example : 696230i for L : 30 mm