

# Knob Ergo

## stainless steel version

Knob in polyamid filled with microscopic glass beads, allowing for high-impact resistance and durability.

Standard color is black.

**Fastening**, inserts are in stainless steel X 10 CrNiS 18.9, material 1.4305 (AISI 303).

**Optimum utilisation** between  $-50^{\circ}$  to  $130^{\circ}$  Celsius, outstanding resistance to chemicals, oil as well as tough climatic conditions.



# Design

BOUTET works closely with a multi-national group of talented designers and a prominent European Design School.

001

Prototypes of special products can be manufactured upon request, usually within a week and immediately sent to your office for comment.

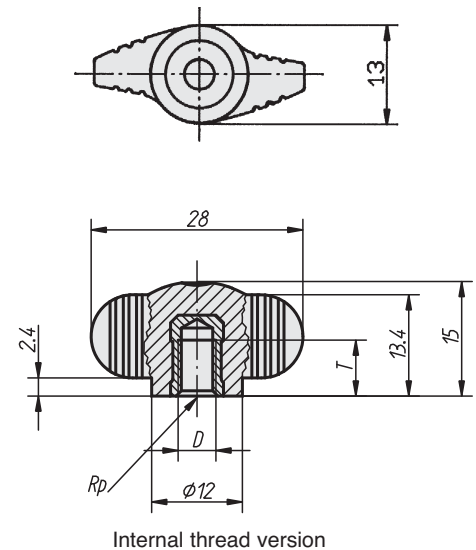
### Knob "Ergo" with stainless steel insert

D1	D	T	Reference	g	Pack
28	M4	6	8300i	3,3	10 pcs
28	M5	7,5	8301i	3,9	10 pcs
28	M6	9	8302i	4,5	10 pcs

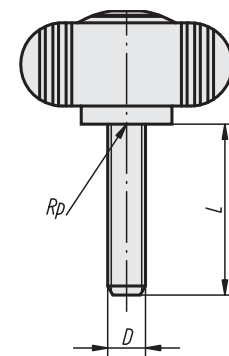
### Knob "Ergo" with stainless steel stud

D1	D	Standard length of stud L							Reference	g
		8	10	15	20	25	30	40		
28	M4	▲							8303-**i	5
28	M5		▲	▲	▲				8304-**i	5/8
28	M6		▲	▲	▲	▲	▲		8305-**i	5/10
28	M8			▲	▲	▲	▲		8306-**i	5/15

\*\* Please fill in the length of stud L, example : 830640i for L : 40 mm.



Internal thread version



External thread version