

Nuts Knurled, Din 466 and Din 467

high version and low version
stainless steel version

Product in stainless steel X 8 CrNiS 18.9,
material 1.4305 (AISI 303), polished.




Design

BOUTET works closely with a multi-national group of talented designers and a prominent European Design School.




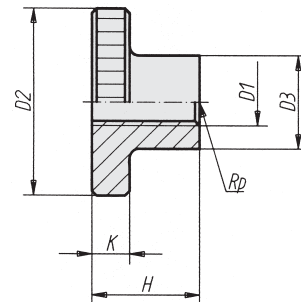
Thanks to our sophisticated logistics center and flexible manufacturing, BOUTET can guarantee SAME DAY Shipping. You have easy access to our real-time stock levels (www.e-boutet.com) and, consequently you can be assured your required quantity is available for immediate sameday shipping with UPS.

Nut knurled, high version, DIN 466, in stainless steel

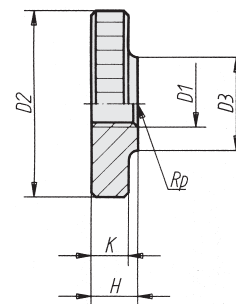
D1	D2	D3	H	K	Reference		Pack
M4	16	8	9,5	3,5	8666i	7	10 pcs
M5	20	10	11,5	4	8667i	13	10 pcs
M6	24	12	15	5	8668i	24	10 pcs
M8	30	16	18	6	8669i	46	5 pcs
M10	36	20	23	8	8670i	88	5 pcs
M12	36	20	23	8	8671i	125	5 pcs

Nut knurled, low version, DIN 467, in stainless steel

D1	D2	D3	H	K	Reference		Pack
M4	16	8	4	3,5	8672i	6	10 pcs
M5	20	10	5	4	8673i	10	10 pcs
M6	24	12	6	5	8674i	18	10 pcs
M8	30	16	8	6	8675i	33	5 pcs
M10	36	20	10	8	8676i	58	5 pcs
M12	36	20	10	8	8677i	58	5 pcs



Nut knurled, high version, DIN 466



Nut knurled, low version, DIN 467