

Adjustable Handle

stainless steel version

Handle made of polyamid filled with microscopic glass beads, allowing for high-impact resistance and durability.

Standard color is black.

Fastening, male and female inserts are in stainless steel X 8 CrNiS 18.9, material 1.4305 (AISI 303).

Optimum utilisation between -50° and 130° Celsius, outstanding resistance to chemicals, oil as well as tough climatic conditions.



Adjustable handle with stainless steel insert

A	X	T	D	D1	H	H1	H2	H3	H4	A1	B	Reference	g	Pack
40	M5	9	10	13	24	4	15	31	35	47	8	7105i	14	5 pcs
40	M6	9	10	13	24	4	15	31	35	47	8	7106i	14	5 pcs
65	M6	12	13,5	18	29	6,5	17,5	43	47	75	9	7206i	31	5 pcs
65	M8	12	13,5	18	29	6,5	17,5	43	47	75	9	7208i	31	5 pcs
80	M8	14	16	21,5	37,5	10	24	55	59	91	11	7308i	53	5 pcs
80	M10	14	16	21,5	37,5	10	24	55	59	91	11	7310i	54	5 pcs
95	M10	17	19	25,5	42,5	10	27	64	68	108	13	7410i	80	2 pcs
95	M12	17	19	25,5	42,5	10	27	64	68	108	13	7412i	82	2 pcs
110	M12	23	23	30	51	12	33	75	80	126	16	7512i	134	2 pcs
110	M16	23	23	30	51	12	33	75	80	126	16	7516i	136	2 pcs

Adjustable handle with stainless steel stud

A	X	H1	▲ Standard length of stud L								Reference	g	Pack	
			10	15	20	25	30	40	50	60				
40	M5	4		▲	▲	▲						9105-**i	15/18	5 pcs
40	M6	4	▲	▲	▲	▲	▲	▲	▲			9106-**i	16/25	5 pcs
65	M8	6,5		▲	▲	▲	▲	▲	▲	▲	▲	9208-**i	32/45	5 pcs
65	M10	6,5			▲	▲	▲	▲	▲	▲	▲	9210-**i	35/50	5 pcs
80	M10	10			▲	▲	▲	▲	▲	▲	▲	9310-**i	55/68	2 pcs
95	M12	10				▲	▲	▲	▲	▲	▲	9412-**i	90/105	2 pcs
110	M16	12					▲	▲	▲	▲	▲	9516-**i	140/155	2 pcs

** Please fill in the length of stud L, example : 951640i for L : 40 mm.

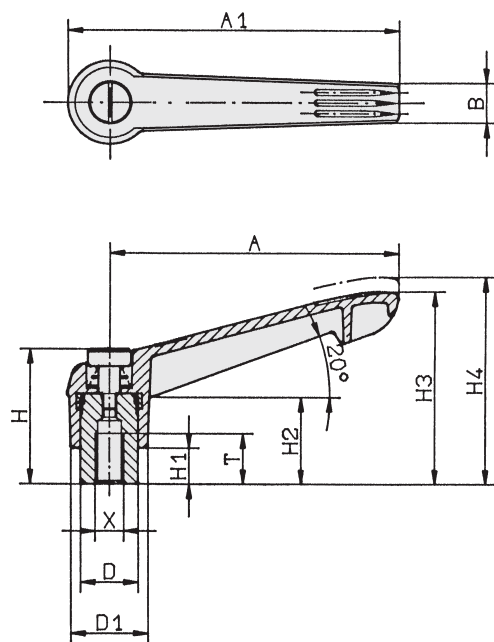
Adjustable Handle

stainless steel version

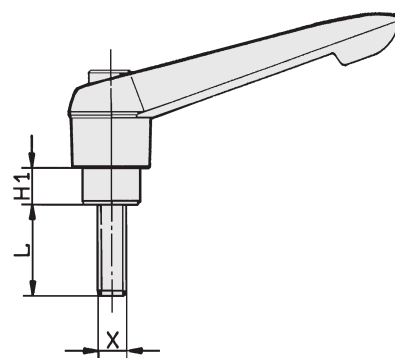
(continued)



BOUTET introduced, in september 2009, the 1st full service e-shop for industrial components, with free access to live real-time stock levels. **SAME DAY UPS Shipping** to 45 countries, and satellite tracking of your parcels. The total customer experience.



Female insert version



Male insert version