


Spring Plunger Push Fit

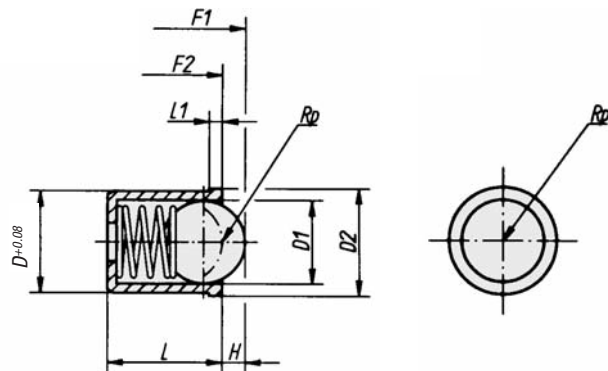
stainless steel version

Spring plunger has a stainless steel body, with a stainless steel bead, and a spring in spring steel class D.


 During our manufacturing process, spring resistance is controlled by electronic and optical measurement devices.



Special versions of our products can easily be manufactured. Quotations and prototypes are made upon request. Tooling costs can eventually be financed over 5 years.



Spring plunger in stainless steel

D+0.08	D1	D2	L	L1	H	Spring force		Reference	 g	Pack
						initial pressure F1 (approx. N)	final pressure F2 (approx. N)			
4	3	4,6	5	1	0,8	3	7	8537i	0,3	50 pcs
5	4	5,6	6	1	1	4	7	8538i	0,6	50 pcs
6	5	6,5	7	1	1,5	6	12	8539i	1,0	50 pcs
8	6,5	8,5	9	1	1,8	6	12	8540i	2,0	50 pcs
10	8	12	13,5	2,5	2,7	10	20	7890i	6,0	25 pcs
12	10	14	16,0	2,5	3,5	15	25	7891i	10,0	25 pcs