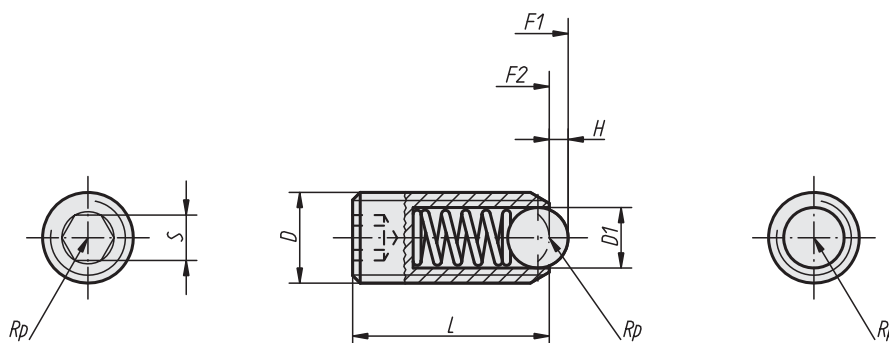


Spring Plunger

with bead and
hexagonal socket
regular / strong force
stainless steel version

Spring plunger is in stainless steel.
Body in stainless steel X8CrNiS18.9 = 1.4305 (AISI 303), bead in stainless steel X46Cr13 = 1.4034 (AISI 420), polished.
Spring in spring stainless steel X10CrNi18.8 = 1.4310 (AISI 302).

💡 During our manufacturing process, spring resistance is controlled by electronic and optical measurement devices.



Spring plunger, regular force

D	D1	L	H	S	Spring force		Reference	g	Pack
					initial pressure F1 (approx. N)	final pressure F2 (approx. N)			
M6	3,5	15	1	3	9	13	9766i	2	10 pcs
M8	5	18	1,5	4	15	30	9767i	4	10 pcs
M10	6	23	2	5	20	35	9768i	8	10 pcs
M12	8	26	2,5	6	30	55	9769i	12	5 pcs
M16	10	33	3,5	8	65	125	9770i	31	5 pcs
M20	12	43	4,5	10	80	160	9771i	64	1 pc
M24	15	48	5,5	12	90	180	9772i	100	1 pc

Spring plunger, strong force

D	D1	L	H	S	Spring force		Reference	g	Pack
					initial pressure F1 (approx. N)	final pressure F2 (approx. N)			
M6	3,5	15	1	3	28	40	9773i	2	10 pcs
M8	5	18	1,5	4	47	73	9774i	4	10 pcs
M10	6	23	2	5	66	100	9775i	8	10 pcs
M12	8	26	2,5	6	66	120	9776i	12	5 pcs
M16	10	33	3,5	8	90	180	9777i	31	5 pcs
M20	12	43	4,5	10	115	240	9778i	64	1 pc
M24	15	48	5,5	12	130	270	9779i	100	1 pc