
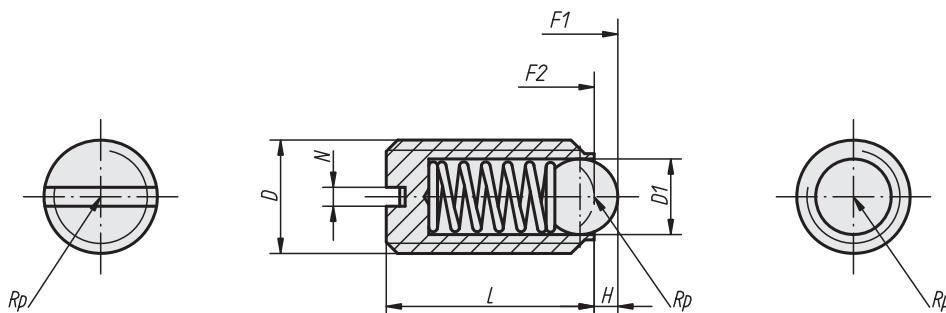


Spring Plunger


with bead and slot
regular / strong force
stainless steel version

Spring plunger is in stainless steel.
Body in stainless steel X8CrNiS18.9 = 1.4305 (AISI 303), bead in stainless steel X46Cr13 = 1.4034 (AISI 420), polished.
Spring in spring stainless steel X10CrNi18.8 = 1.4310 (AISI 302).


 During our manufacturing process, spring resistance is controlled by electronic and optical measurement devices.



Spring plunger, regular force

D	D1	L	H	N	Spring force		Reference	 g	Pack
					initial pressure F1 (approx. N)	final pressure F2 (approx. N)			
M3	1,5	7	0,5	0,4	1,5	3	8370i	0,2	10 pcs
M4	2,5	9	0,8	0,6	4	10	8371i	0,6	25 pcs
M5	3	12	0,9	0,8	6	11	8372i	0,9	25 pcs
M6	3,5	14	1	1	9	13	8373i	1,5	25 pcs
M8	5	16	1,5	1,2	15	30	8374i	3,5	10 pcs
M10	6	19	2	1,6	20	35	8375i	7,0	10 pcs
M12	8	22	2,5	2	30	55	8376i	10,0	10 pcs
M16	10	24	3,5	2,5	65	125	8377i	24,0	10 pcs
M20	12	30	4,5	2,5	80	160	8378i	44,3	5 pcs

Spring plunger, strong force

D	D1	L	H	N	Spring force		Reference	 g	Pack
					initial pressure F1 (approx. N)	final pressure F2 (approx. N)			
M5	3	12	0,9	0,8	19	30	7036i	0,9	10 pcs
M6	3,5	14	1	1	28	40	7037i	1,5	10 pcs
M8	5	16	1,5	1,2	47	73	7038i	3,5	10 pcs
M10	6	19	2	1,6	66	100	7039i	7,0	10 pcs
M12	8	22	2,5	2	66	120	7040i	10,0	10 pcs
M16	10	24	3,5	2,5	90	180	7041i	24,0	10 pcs
M20	12	30	4,5	2,5	115	240	7042i	44,3	5 pcs