

Index Plunger

with slot
stainless steel version

Knob in polyamid filled with microscopic glass beads, allowing for high-impact resistance and durability.

Standard color black.

Fastening, stainless steel version,
locking pin hardened : threaded sleeve
X 10 CrNiS 18 9 = 1.4305 locking pin
X 46 Cr 13 = 1.4034

Optimum utilisation between -50°
and 130° Celsius, outstanding resistance
to chemicals, oils as well as tough climatic
conditions.



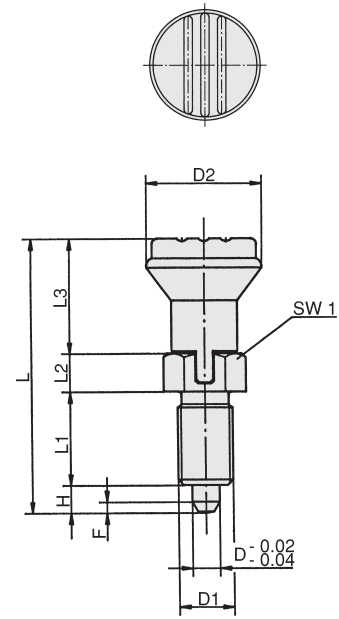
Index plunger without locking nut, with slot, in stainless steel

D1	D	D2	L	L1	L2	L3	H	SW1	Fx30°	Reference	g
M10x1,0	5	21	47	17	7	18	5	13	1,3	8251i	32
M12x1,5	6	25	56	20	8	22	6	14	1,8	8252i	47
M16x1,5	8	33	74	26	10	30	8	19	2,3	8253i	98
M20x1,5	10	33	80	28	12	30	10	22	2,8	8254i	98

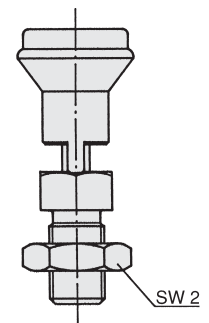
Index plunger with locking nut, with slot, in stainless steel

D1	D	D2	L	L1	L2	H	SW1	SW2	Reference	g
M10x1,0	5	21	47	17	7	5	13	17	8241i	37
M12x1,5	6	25	56	20	8	6	14	19	8242i	53
M16x1,5	8	33	74	26	10	8	19	24	8243i	102
M20x1,5	10	33	80	28	12	10	22	30	8244i	170

D1	Spring force		Resistance to shearing
	initial pressure F1 (approx. N)	final pressure F2 (approx. N)	
M10	5	12	1021N
M12	6	14	1470N
M16	15	35	2614N
M20	15	40	2830N



Mechanism is in stainless steel



Mechanism and locking nut are in stainless steel