

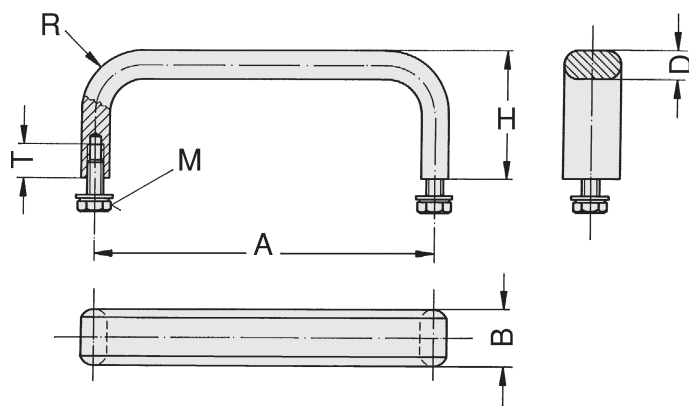
Handle Orion

stainless steel version

Handle made of stainless steel X2 CrNi 18 9, material 1.4307 (AISI 303), semi-matte finish. For the highest standards.

Fastening, handle includes stainless high-grade steel hexagonal head screws DIN 933, and washers DIN 125, stainless steel no. 1.4301.

Minimum mechanical stress resistance, 1200 Newtons (120 Kgf).



Handle includes fastening material

Handle "Orion" in stainless steel, narrow version

A	B	M	T	H	D	R	Reference	g
100	12	M5 x 10	10	40	8	22	10.401i	105
120	12	M5 x 10	10	40	8	22	10.402i	118
150	12	M5 x 10	10	40	8	22	10.403i	138
180	12	M5 x 10	10	40	8	22	10.404i	158
250	12	M5 x 10	10	40	8	22	10.405i	205
350	12	M5 x 10	10	40	8	22	10.406i	271

Handle "Orion" in stainless steel, wide version

A	B	M	T	H	D	R	Reference	g
100	19,5	M6 x 12	12	45	10	24	10.407i	216
120	19,5	M6 x 12	12	45	10	24	10.408i	241
150	19,5	M6 x 12	12	45	10	24	10.409i	279
180	19,5	M6 x 12	12	45	10	24	10.410i	318
250	19,5	M6 x 12	12	45	10	24	10.411i	407
350	19,5	M6 x 12	12	45	10	24	10.412i	535