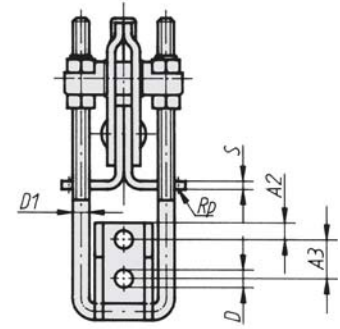
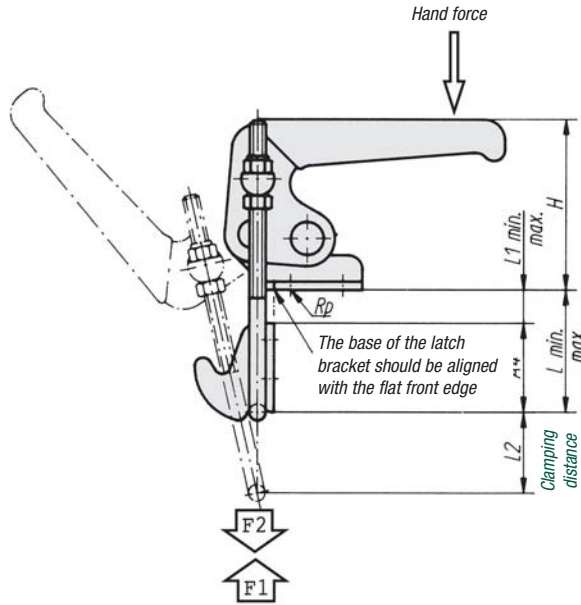


Clamp Vertical Latch

stainless steel version

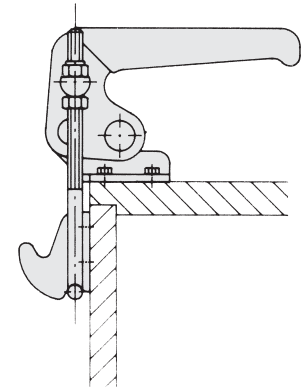
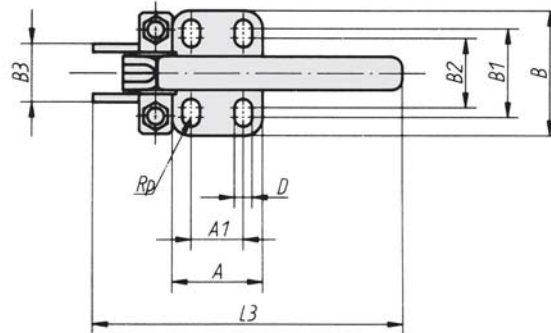


Clamp in stainless steel AISI 304.



lifetime warranty made by Brauer ltd

This particular product range, the toggle clamp, is not made by BOUTET. The manufacturing company is Brauer limited of England, supplying primarily the demanding automotive and aeronautics sectors with a lifetime warranty of 1 million cycles.



Application Illustration

Technical data for your guidance

Reference	Pulling force F1(N)	Holding force F2(N)	Hand force N	Handle opens through
5830-014i	1800	2000	100	145°
5830-025i	2700	4000	150	145°
5830-045i	4500	7000	200	145°

Dimensions of the clamp

A	A1	A2	A3	A4	B	B1	B2	B3	D	D1	H	Setting distance L		Clamping distance		Reference	kg			
												min	max	min	max			L2	L3	S
26	13	4,5	11	23	36	24	19	16	5,2	4	42	24	48	1	25	22	76	2,5	5830-014i	0,05
35	19	6	14	32	47	32	25	21	6,5	6	63	33	60	1	28	34	115	3	5830-025i	0,25
51	32	8	19	40	64	45	36	28	8,5	8	84	41	80	1	40	45	152	4	5830-045i	0,70