

Clamp Horizontal Latch

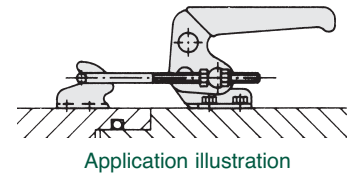
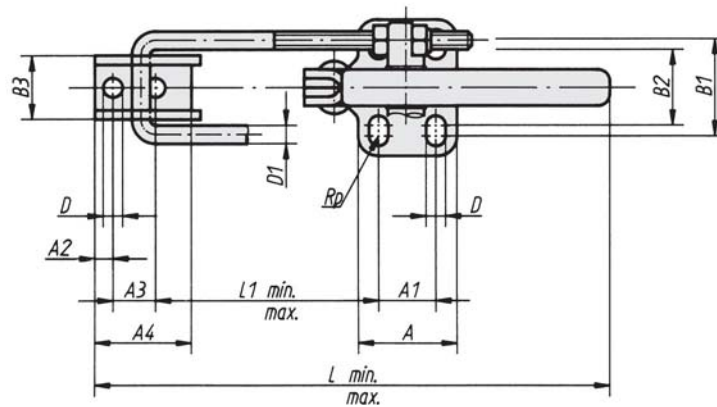
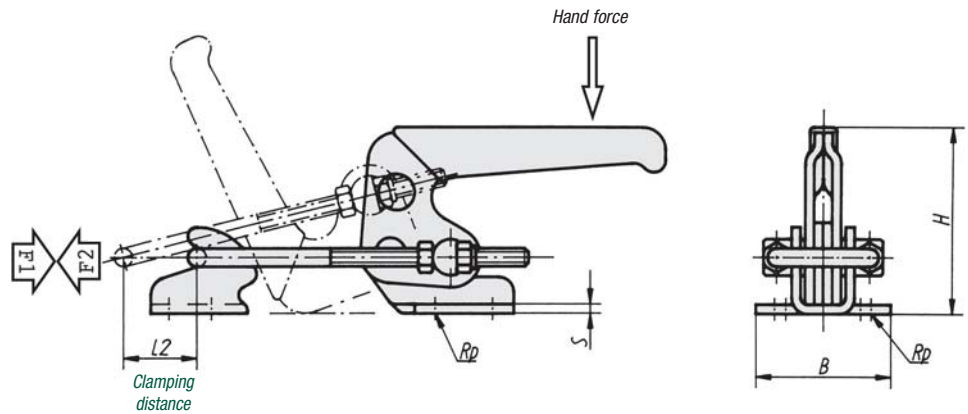
stainless steel version



Clamp in stainless steel AISI 304.

lifetime warranty made by Brauer ltd

This particular product range, the toggle clamp, is not made by BOUTET. The manufacturing company is Brauer limited of England, supplying primarily the demanding automotive and aeronautics sectors with a lifetime warranty of 1 million cycles.



Technical data for your guidance

Reference	Pulling force F1(N)	Holding force F2(N)	Hand force N	Handle opens through
5825-014i	1800	2000	100	120°
5825-025i	2700	4000	150	120°
5825-045i	4500	7000	200	120°

Dimensions of the clamp

A	A1	A2	A3	A4	B	B1	B2	B3	D	D1	H	Setting distance L		Clamping distance		Reference	kg		
												min	max	min	max			L2	S
26	13	4,5	11	23	36	24	19	16	5,2	4	42	105	135	38	68	16	2,5	5825-014i	0,05
35	19	6	14	32	47	32	25	21	6,5	6	63	145	185	45	85	24	3	5825-025i	0,25
51	32	8	19	40	64	45	36	28	8,5	8	84	190	250	65	120	32	4	5825-045i	0,70