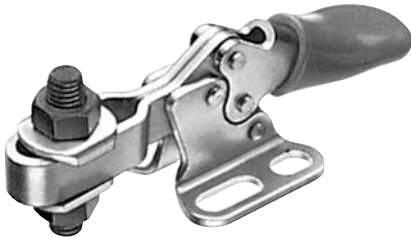


# Clamp Miniature Horizontal

stainless steel version

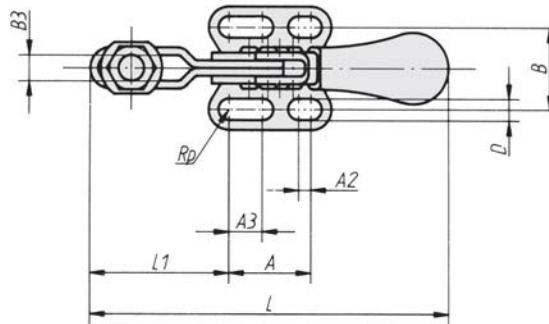
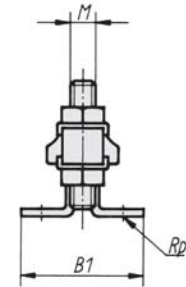
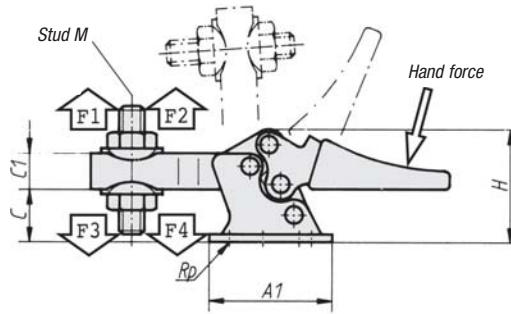


Clamp in stainless steel AISI 304.

**Fastening**, supplied complete with setscrews and nuts.

**lifetime warranty made by Brauer ltd**

This particular product range, the toggle clamp, is not made by BOUTET. The manufacturing company is Brauer limited of England, supplying primarily the demanding automotive and aeronautics sectors with a lifetime warranty of 1 million cycles.



## Technical data for your guidance

Reference	Arm opens through			Handle opens through			Hand force N	Holding force		Clamping force	
	Pos.1	Pos.2	without pin	Pos.1	Pos.2	without pin		F1(N)	F2(N)	F3(N)	F4(N)
5765-005i	85°	-	-	65°	-	-	80	250	550	170	370

## Dimensions of the clamp

Stud M	A	A1	A2	A3	B	B1	B3	C	C1	D	H	L	L1	Reference	kg
M5x20	16	24	2,4	6,5	16	24	5,2	11,5	7	4,2	22	70	26	5765-005i	0,036