

Clamp Horizontal

with adjustable spindle
stainless steel version

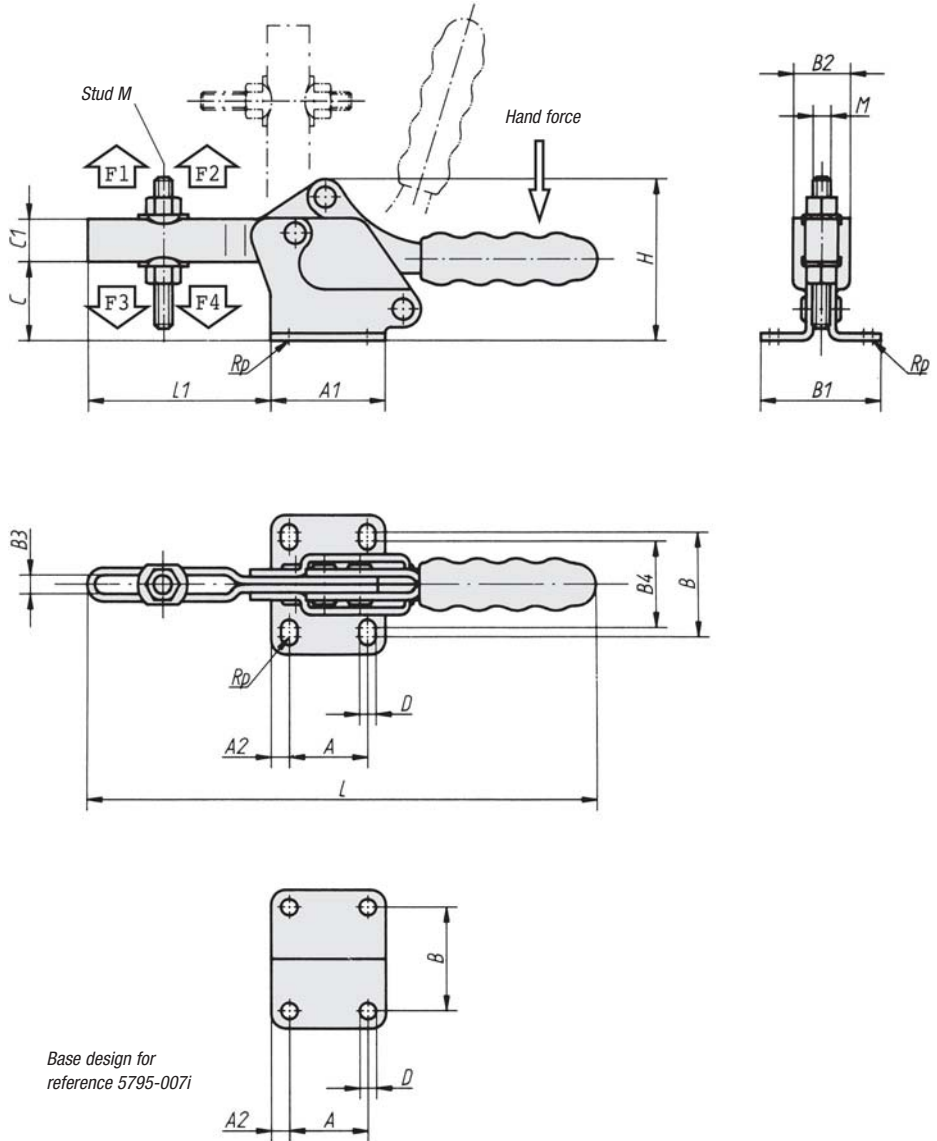


Clamp in stainless steel AISI 304.

Fastening, supplied complete with setscrews and nuts.

lifetime warranty made by Brauer ltd

This particular product range, the toggle clamp, is not made by BOUTET. The manufacturing company is Brauer limited of England, supplying primarily the demanding automotive and aeronautics sectors with a lifetime warranty of 1 million cycles.



Technical data for your guidance

| Reference | Arm opens through | | | Handle opens through | | | Hand force N | Holding force | | Clamping force | |
|-----------|-------------------|-------|-------------|----------------------|-------|-------------|--------------|---------------|-------|----------------|-------|
| | Pos.1 | Pos.2 | without pin | Pos.1 | Pos.2 | without pin | | F1(N) | F2(N) | F3(N) | F4(N) |
| 5795-007i | 90° | - | - | 75° | - | - | 80 | 500 | 1100 | 250 | 700 |
| 5795-015i | 90° | - | - | 80° | - | - | 140 | 1200 | 2600 | 400 | 1000 |

Dimensions of the clamp

| Stud M | A | A1 | A2 | B | B1 | B2 | B3 | B4 | C | C1 | D | H | L | L1 | Reference | kg |
|--------|------|----|-----|------|----|----|-----|----|----|-----|-----|----|-----|----|-----------|------|
| M5x35 | 13,5 | 25 | 5,7 | 16,8 | 27 | 16 | 5,8 | - | 19 | 9,5 | 5,2 | 36 | 116 | 37 | 5795-007i | 0,10 |
| M6x50 | 26 | 38 | 6 | 28 | 40 | 20 | 6,2 | 22 | 25 | 14 | 5,5 | 53 | 170 | 61 | 5795-015i | 0,25 |