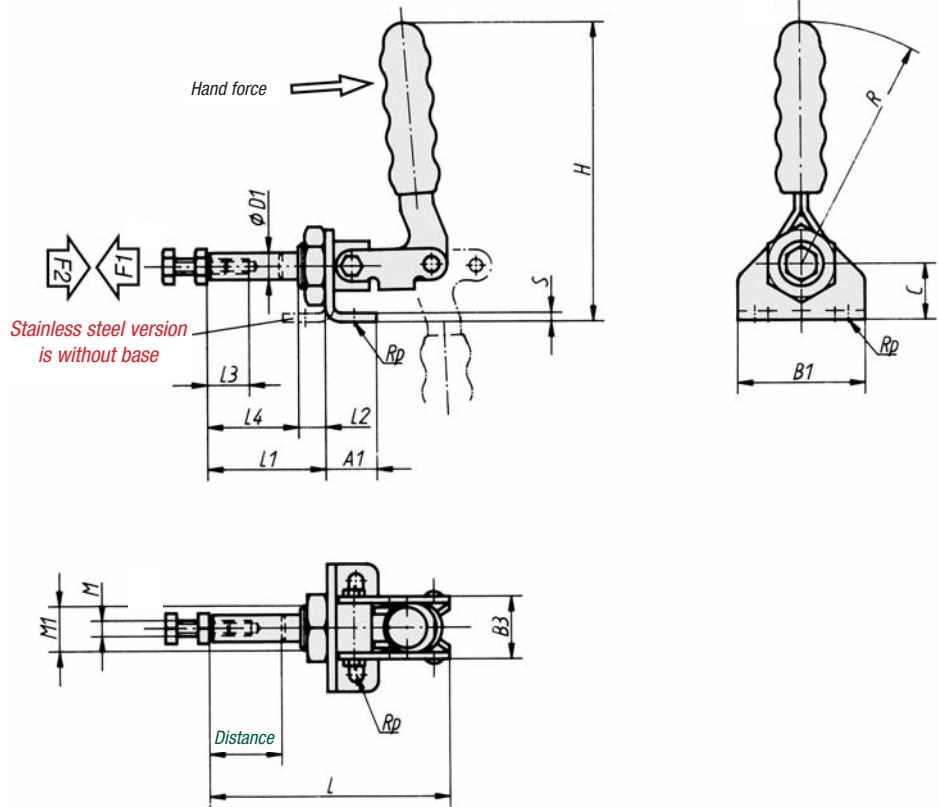


# Clamp Push-Pull

without base  
stainless steel version



Clamp in stainless steel AISI 304.



**lifetime warranty made by Brauer ltd**

This particular product range, the toggle clamp, is not made by BOUTET. The manufacturing company is Brauer limited of England, supplying primarily the demanding automotive and aeronautics sectors with a lifetime warranty of 1 million cycles.

## Technical data for your guidance

Reference	Clamping force F1(N)	Holding force F2(N)	Hand force N	Handle opens through
5837-010i	500	1000	40	190°
5837-020i	2000	2000	50	190°
5837-040i	2500	4000	150	190°

## Dimensions of the clamp

Stud M	A1	A2	B	B1	B2	B3	C	D	D1	H	L	L1	L2	L3	L4	M1	S	R	Distance	Reference	kg
M6x25	30	13,5	18	44	-	25	26	5,2	10	96	68	33	10	15	23	M16x1,5	2	68	21	5837-010i	0,150
M8x40	23	13	30	57	42	30	25	6,5	12	137	110	54	13	25	41	M20x1,5	4	112	41	5837-020i	0,353
M10x50	30	18	30	64	45	42	30	8,5	16	150	175	88	17	35	71	M24x1,5	5	120	68	5837-040i	0,800