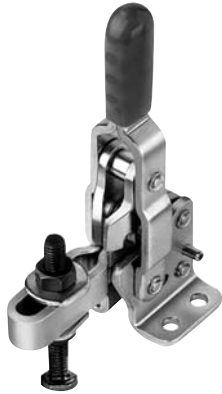


# Clamp Vertical

with adjustable spindle  
stainless steel version

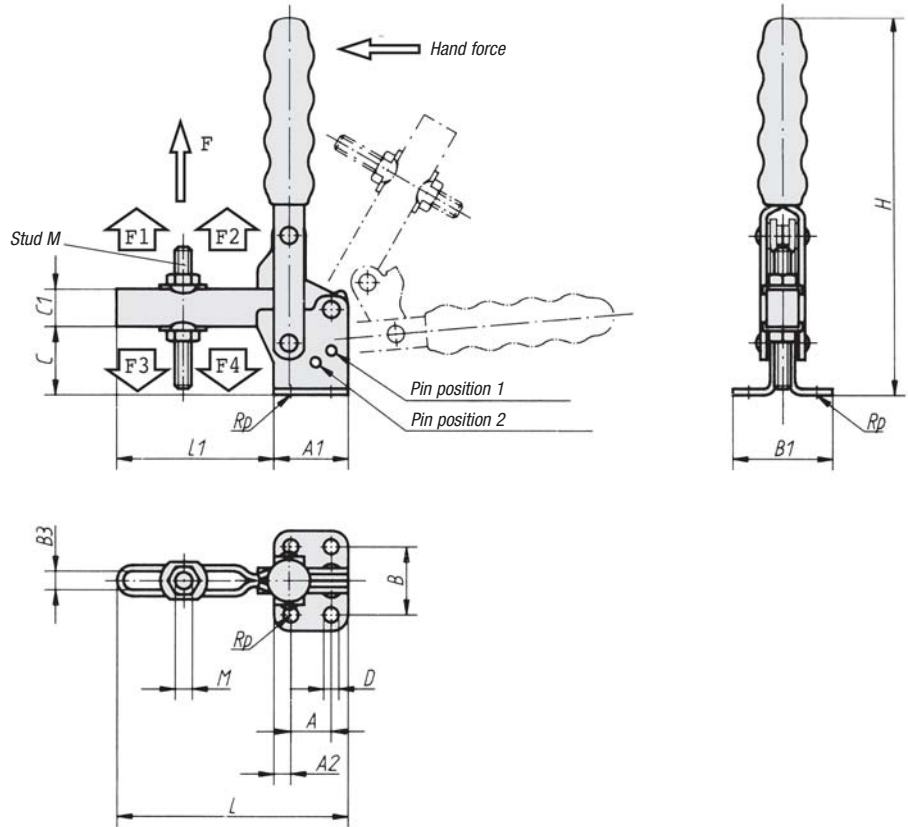


Clamp in stainless steel AISI 304.

**Fastening**, supplied complete with setscrews and nuts.

**lifetime warranty made by Brauer ltd**

This particular product range, the toggle clamp, is not made by BOUTET. The manufacturing company is Brauer limited of England, supplying primarily the demanding automotive and aeronautics sectors with a lifetime warranty of 1 million cycles.



## Technical data for your guidance

Reference	Arm opens through			Handle opens through			Hand force N	Holding force		Clamping force	
	Pos.1	Pos.2	without pin	Pos.1	Pos.2	without pin		F1(N)	F2(N)	F3(N)	F4(N)
5715-007i	130°	-	160°	90°	-	100°	80	700	1100	500	750
5715-015i	95°	-	185°	75°	-	110°	120	1350	1650	800	1050
5715-025i	95°	125°	160°	70°	±85°	100°	190	1000	2800	900	1700

## Dimensions of the clamp

Stud M	A	A1	A2	A3	B	B1	B3	B4	C	C1	D	H	L	L1	Holding force F(N)	Reference	kg
M5x35	16	26	5	-	24	34	5,5	-	16	9	4,4	98	57	31	750	5715-007i	0,05
M6x50	12,7	27	7	-	27	38	6,4	-	23	11	5,1	125	70	43	1500	5715-015i	0,15
M8x60	19	35	8	-	32	45	8,8	-	32	17,5	7,1	175	110	74	2500	5715-025i	0,38