

Knob Arrimage

Knob in **polyamid** filled with microscopic glass beads, allowing for high-impact resistance and durability.

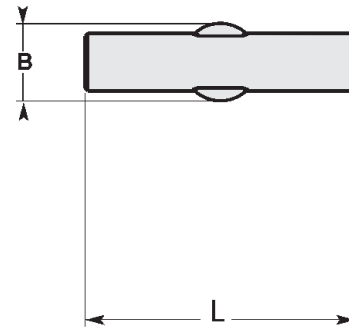
Standard color is black.

T Fastening, inserts are in zinc plated steel.

🔧 Optimum utilisation between -50° to 130° Celsius, outstanding resistance to chemicals, oil as well as tough climatic conditions.

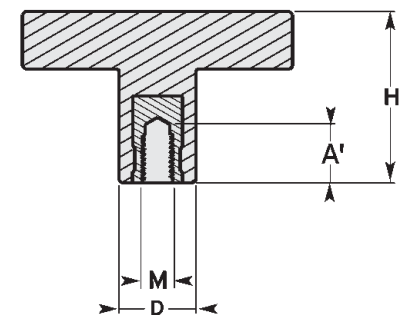


BOUTET introduced, in september 2009, the 1st full service e-shop for industrial components, with free access to live real-time stock levels. **SAME DAY UPS Shipping** to 45 countries, and satellite tracking of your parcels. The total customer experience.



Knob "Arrimage" with female insert

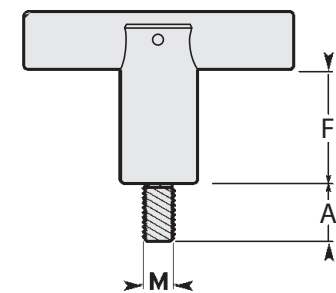
| L | M | B | H | F | D | A' | Reference | 🔧 | Pack |
|----|-----|----|----|----|----|-----|-----------|----|--------|
| 50 | M5 | 14 | 32 | 21 | 14 | 7,5 | 16.201 | 13 | 10 pcs |
| 50 | M6 | 14 | 32 | 21 | 14 | 9 | 16.202 | 14 | 10 pcs |
| 70 | M8 | 20 | 44 | 30 | 19 | 14 | 16.203 | 41 | 10 pcs |
| 70 | M10 | 20 | 44 | 30 | 19 | 18 | 16.204 | 49 | 10 pcs |



Internal thread version

Knob "Arrimage" with male insert

| L | M | B | H | F | D | A | Reference | 🔧 | Pack |
|----|-----|----|----|----|----|----|-----------|----|--------|
| 50 | M5 | 14 | 32 | 21 | 14 | 16 | 16.152 | 15 | 10 pcs |
| 50 | M5 | 14 | 32 | 21 | 14 | 20 | 16.153 | 15 | 10 pcs |
| 50 | M6 | 14 | 32 | 21 | 14 | 16 | 16.161 | 16 | 10 pcs |
| 50 | M6 | 14 | 32 | 21 | 14 | 20 | 16.162 | 17 | 10 pcs |
| 70 | M8 | 20 | 44 | 30 | 19 | 20 | 16.171 | 42 | 10 pcs |
| 70 | M8 | 20 | 44 | 30 | 19 | 30 | 16.173 | 45 | 10 pcs |
| 70 | M10 | 20 | 44 | 30 | 19 | 20 | 16.181 | 51 | 10 pcs |
| 70 | M10 | 20 | 44 | 30 | 19 | 30 | 16.182 | 56 | 10 pcs |



External thread version