

Knob Ergo

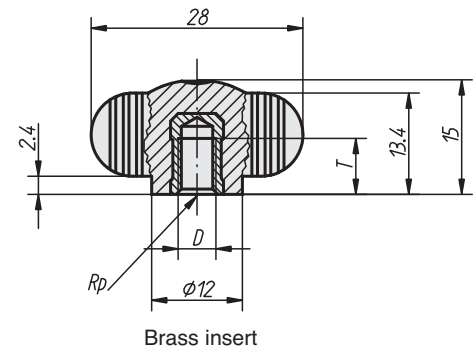
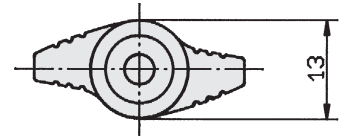
Knob in **polyamid** filled with microscopic glass beads, allowing for high-impact resistance and durability.

Standard color is black.


Fastening, insert is in brass (female), or zinc plated steel (male).

Optimum utilisation between -50° to 130° Celsius, outstanding resistance to chemicals, oil as well as tough climatic conditions.


Product also available in **stainless steel**.



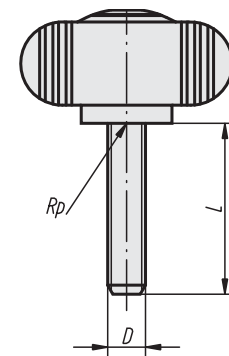
Knob "Ergo" with brass insert

D1	D	T	Reference	 g	Pack
28	M4	6	8300	3,3	20 pcs
28	M5	7,5	8301	3,9	20 pcs
28	M6	9	8302	4,5	20 pcs

Knob "Ergo" with zinc plated steel stud

D1	D	▲ Standard length of stud L							Reference	 g	Pack
		8	10	15	20	25	30	40			
28	M4	▲							8303-**	5	20 pcs
28	M5		▲	▲	▲				8304-**	5/8	20 pcs
28	M6		▲	▲	▲	▲	▲		8305-**	5/10	20 pcs
28	M8				▲	▲	▲	▲	8306-**	5/15	20 pcs

** Please fill in the length of stud L, example : 830640 for L : 40 mm.



Zinc plated steel stud