

Knob Cevennes

Knob in **polyamid** filled with microscopic glass beads, allowing for high-impact resistance and durability.

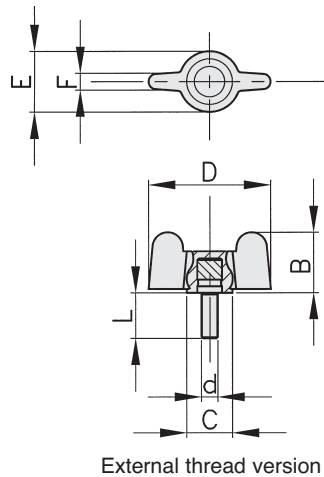
Standard color is black.

Fastening, insert is in zinc-plated steel.

Optimum utilisation between -50° to 130° Celsius, outstanding resistance to chemicals, oil as well as tough climatic conditions.

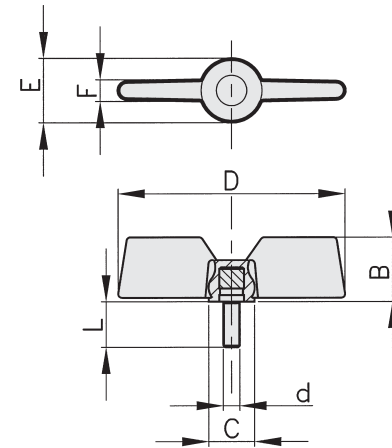


Design 1 (diameter 25 and 32mm)



External thread version

Design 2 (diameter 41 and 59mm)



External thread version

Knob "Cevennes" design 1 with steel stud

D	d	B	C	E	F	▲ Standard length of stud L						Reference	Pack
						8	10	20	25	30	40		
25	M3	12	10	13	3			▲	▲			6200-**	100 pcs
25	M4	12	10	13	3	▲	▲	▲				6201-**	100 pcs
25	M5	12	10	13	3			▲	▲		▲	6202-**	100 pcs
32	M6	16	15	16	4			▲	▲	▲		6220-**	100 pcs
32	M8	16	15	16	4			▲	▲		▲	6221-**	100 pcs

Knob "Cevennes" design 2 with steel stud

D	d	B	C	E	F	▲ Standard length of stud L						Reference	Pack
						15	20	25	30	40	50		
41	M5	22	15	18	5		▲	▲		▲		6260-**	50 pcs
41	M6	22	15	18	5	▲		▲		▲		6261-**	50 pcs
41	M8	22	15	18	5	▲		▲	▲			6262-**	50 pcs
59	M6	18	16	18	4			▲				6240-**	50 pcs
59	M8	18	16	18	4	▲		▲	▲	▲	▲	6241-**	50 pcs

** Please fill in the length of stud L, example : 624140 for L : 40 mm.