

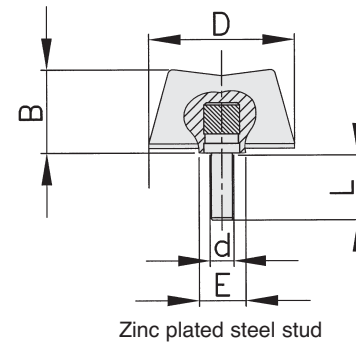
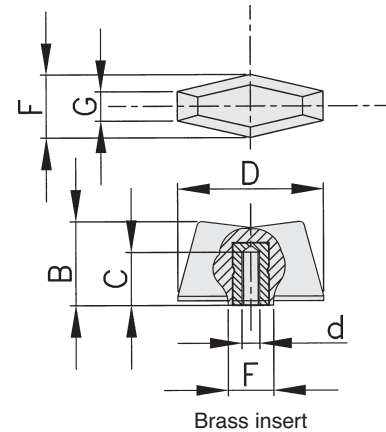
# Knob Savoie

Knob in **polyamid** filled with microscopic glass beads, allowing for high-impact resistance and durability.

Standard color is black.

**Fastening**, insert is in brass (female), or zinc plated steel (male).

**Optimum utilisation** between  $-50^{\circ}$  to  $130^{\circ}$  Celsius, outstanding resistance to chemicals, oil as well as tough climatic conditions.



Knob "Savoie" in polyamid with brass insert

D	d	B	C	F	G	Reference	g	Pack
32	M6	17	9	14	6,5	6050	5	50 pcs

Knob "Savoie" with zinc plated steel through insert

D	d	B	F	G	Reference	g	Pack
28	M5	14	11,5	5,6	6965	6	50 pcs
28	M6	14	11,5	5,6	6966*	6	50 pcs

\* Reference 6966 is with brass insert.

Knob "Savoie" with zinc plated steel stud

D	d	B	E	F	G	▲ Standard length of stud L										Reference	Pack	
						8	10	15	20	25	30	35	40	50	60			
18	M3	10	7	8	4		▲	▲	▲	▲							6000-**	50 pcs
18	M4	10	7	8	4	▲	▲	▲	▲	▲							6001-**	50 pcs
28	M5	14	11	11	6		▲	▲	▲	▲	▲	▲	▲	▲			6021-**	50 pcs
28	M6	14	11	11	6		▲	▲	▲	▲	▲	▲	▲	▲			6022-**	50 pcs
32	M6	17	12	14	7		▲	▲	▲	▲	▲	▲	▲	▲			6040-**	50 pcs
32	M8	17	12	14	7			▲	▲	▲	▲	▲	▲	▲	▲		6041-**	50 pcs

\*\* Please fill in the length of stud L, example : 604140 for L : 40 mm.