

Knob Fabrique

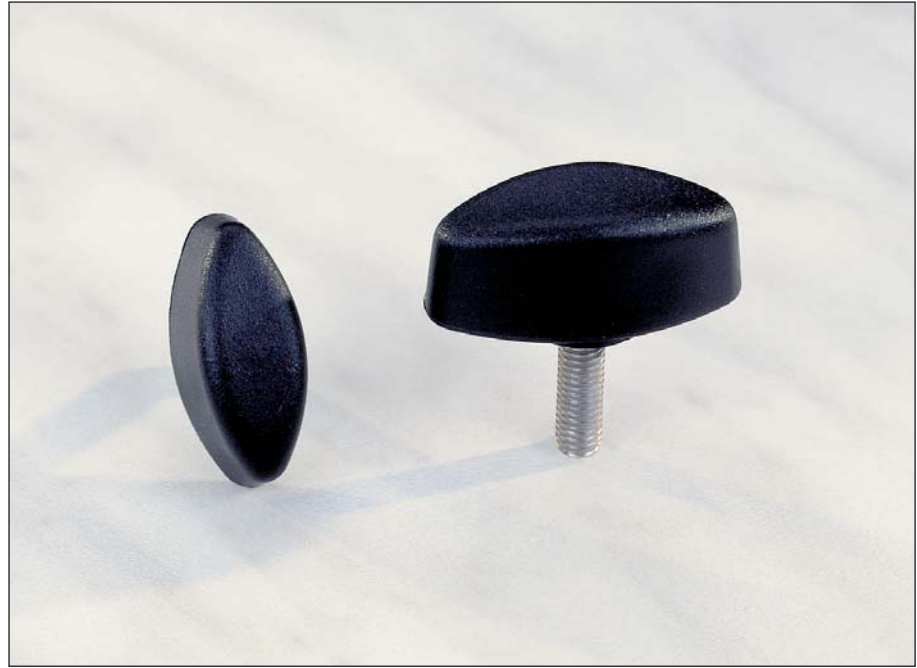
Knob in **polyamid** filled with microscopic glass beads, allowing for high-impact resistance and durability.

Standard color is black.

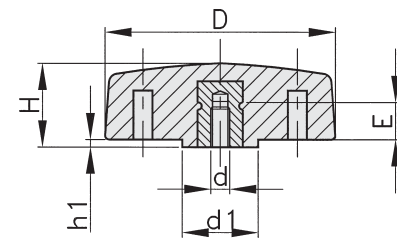
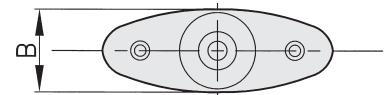
Fastening, insert is in brass (female), or zinc plated steel (male).

Optimum utilisation between -50° to 130° Celsius, outstanding resistance to chemicals, oil as well as tough climatic conditions.

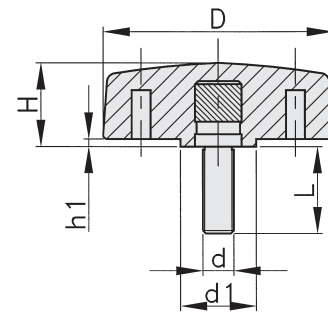
Product also available in **stainless steel**.



BOUTET introduced, in september 2009, the 1st full service e-shop for industrial components, with free access to live real-time stock levels. **SAME DAY UPS Shipping** to 45 countries, and satellite tracking of your parcels. The total customer experience.



Brass insert



Zinc plated steel stud

Knob "Fabrique" with brass insert

D	d	d1	H	h1	B	E	Reference	Pack
26	M4	12	12,5	0,8	11	6	6980	20 pcs
26	M5	12	12,5	0,8	11	7,5	6981	20 pcs
34	M6	14	16	0,8	16	9	6982	20 pcs
40	M8	18	17	0,8	18	12	6983	20 pcs

Knob "Fabrique" with zinc plated steel stud

D	d	d1	H	h1	B	▲ Standard length of stud L					Reference	Pack	
						10	16	20	25	30			40
26	M4	12	12,5	0,8	11	▲	▲					6985-**	20 pcs
26	M5	12	12,5	0,8	11	▲	▲	▲				6986-**	20 pcs
34	M6	14	16	0,8	16		▲	▲	▲	▲		6987-**	20 pcs
34	M8	14	16	0,8	16		▲		▲	▲	▲	6988-**	20 pcs
40	M8	18	17	0,8	18		▲		▲		▲	6989-**	20 pcs
40	M10	18	17	0,8	18			▲		▲	▲	6990-**	20 pcs

** Please fill in the length of stud L, example : 6990**40** for L : 40 mm.